



P6NS SERIES

Service Manual

PROVIEW ELECTRONICS CO.,LTD

6F, No.1, Pau-Sheng Road, Yung-Ho City, Taipei 234, Taiwan

TABLE OF CONTENTS

SERVICE WARNING	1
A. IMPORTANT SAFETY INSTRUCTION	1
B. SPECIFICATIONS	2
C. TIMING CHART	5
D. CONTROL LOCATION	6
E. ADJUSTMENT CONTROL LOCATION	7
F. ADJUSTMENT PROCEDURE	8
G. BLOCK DIAGRAM	13
H. TROUBLE SHOOTING HINTS	19
I. REPLACEMENT PARTS LIST	27
J. CONDUCTION VIEW	59
K. SCHEMATIC DIAGRAM	61

WARNING

To prevent from fire or shock hazard, do not expose monitor to any rain or any form of water. High voltage is inside the monitor so please do not remove the back cover of the cabinet if you are not a qualified monitor engineer.

Contact the local dealer or the nearest **PROVIEW** branch office if you need help.

A. IMPORTANT SAFETY INSTRUCTION

Prior to using this service manual, please ensure that you have carefully followed all the procedures outlined in the user's manual for this product.

1. Read all of these instructions.
2. Save these instructions.
3. Follow all warnings and instructions marked on the product.
4. Unplug this product from the wall outlet before cleaning. Do not use liquid cleaners or aerosol cleaners, use a damp cloth for cleaning.
5. Do not use this product near water.
6. Do not place this product on an unstable cart, stand or table. The product may fall, causing serious damage to the product.
7. Slots and openings in the cabinet and the back or bottom are provided for ventilation, to ensure reliable operation of the product and to protect it from overheating, those openings must not be blocked or covered. The openings should never be blocked by placing the product on a bed, sofa, rug, or other similar surface. This product should not be placed in a built-in installation unless proper ventilation is provided.
8. This product should be operated from the type of power source indicated on the market label. If you are not sure of the type of power available, consult your dealer or local power company.
9. This product is equipped with a 3-wire grounding type plug, a plug having a third (grounding) pin. This plug will only fit into a grounding-type power outlet. This is a safety feature, if you are unable to insert the plug into the outlet, contact your electrician to replace your obsolete outlet. Do not defeat the purpose of the grounding-type plug.
10. Do not allow anything to rest on the power cord. Do not locate this product where persons will walk on the cord.
11. If an extension cord is used with this product, make sure that the total of the ampere ratings on the product plugged into the extension cord to the wall-plugged into outlet does not exceed 15 ampere.
12. Never push objects of any kind into this product through cabinet slots as they may touch dangerous voltage points or short out parts that could result in a risk of fire or electric shock. Never spill liquid of any kind on the product.
13. Do not attempt to service this product yourself, as opening or removing covers may expose you to dangerous voltage points or other risks. Refer all servicing to service personnel.
14. Unplug this product from the wall outlet and refer servicing to qualified service personnel under the following conditions.
 - a. When the power cord or plug is damaged or frayed.
 - b. If liquid has been spilled into the product.
 - c. If the product has been exposed to rain or water.
 - d. If the product does not operate normally, when the operating instructions are followed. Adjust only those controls that are covered by the operating instructions since improper adjustment of other controls may result in damage and will often require extension work by a qualified technician to restore the product to normal operation.
 - e. If the product has been dropped or the cabinet has been damaged.
 - f. If the product exhibits a distinct change in performance, indicating a need for service.

For Model 786NS,986NS Series

WARNING : This product included critical components which are essential for X-Radiation safety.
See service manual for proper replacement.Maximum 2nd anode voltage must not exceed 30KV at any operating conditions.
To measure 2nd voltage use high impedance meter connect (-) chassis, use a high voltage lead from (+) to 2nd anode.

For Model 572NS Series

WARNING : This product included critical components which are essential for X-Radiation safety.
See service manual for proper replacement.Maximum 2nd anode voltage must not exceed 27KV at any operating conditions.
To measure 2nd voltage use high impedance meter connect (-) chassis, use a high voltage lead from (+) to 2nd anode.

VR501,VR601 has been sealed against improper replacement or defeating the control.
Instructions for proper replacement of such sealed controls should also be provided in the service information.

B. SPECIFICATIONS

562NS,572NS Series

1. Screen	15 F&S 0.28mm,Antistatic coating
2. Visible Image Area	13.70 inches
3. Active Display Area	260 mm (H) × 190mm (V)
4. Synchronization Range	
Horizontal	30 – 70 KHz ----- (572NS Series)
	30 – 55 KHz ----- (562NS Series)
Vertical	50 – 160 Hz
5. Power Source	100 – 240 Vac , 60/50 Hz
6. Power Consumption	70W (max.)
7. Input Signal	
Video	Analog R.G.B. , 0.7Vp-p / 75 Ohm
Sync.	TTL level,positive or negative polarity
8. Connection Type	15 Pin D Type
9. Resolution	1280 × 1024 pixels ----- (572NS Series)
	1024 × 768 pixels ----- (562NS Series)
10. Color Temperature	9300°K / 6500°K
	359 × 371 × 384 (mm) ----- CA/TA/PX/FX Series
11. Dimension (W×H×D)	14.13 × 14.61 × 15.12 (inch)
	359 × 384 × 409 (mm) ----- BZ/IZ Series
	14.13 × 15.12 × 16.10 (inch)
12. Monitor Weight	12.5Kg (27.5Lbs)
13. Base Operation	
Tilt	- 5° / + 15°
Swivel	- 45° / + 45°
14. Power Saving	
ON	< 70W
OFF	< 5W
15. Signal Connector Pin Assignment	
Pin No.	
1. Red	6. Red Ground
2. Green	7. Green Ground
3. Blue	8. Blue Ground
4. Ground	9. Not Connected
5. Self Test	10. Sync. Ground
	11. Ground
	12. SDA
	13. Horizontal Sync.
	14. Vertical Sync.
	15. SCL

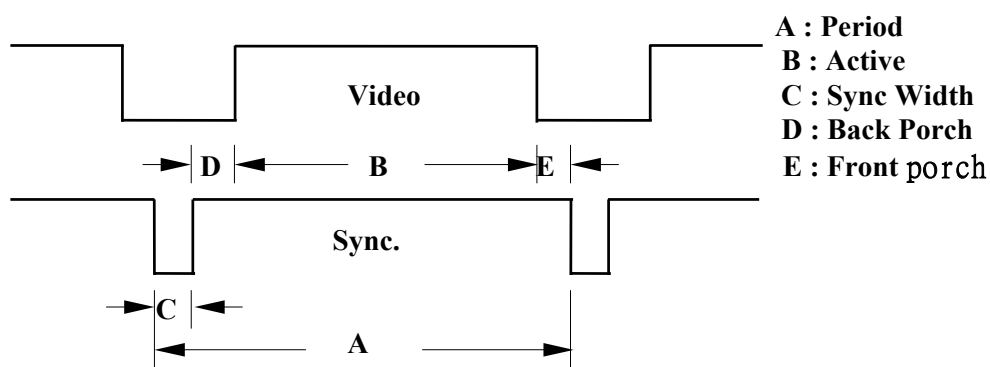
772NS,777NS,786NS,787NS Series

1. Screen	17" F&S 0.27mm,Antistatic coating (772NS) 17" F&S 0.25mm,Antistatic coating (786NS) 17" Pure flat screen,0.25mm,Antistatic coating(777NS,787NS)
2. Visible Image Area	15.7 inch ----- (772NS,786NS Series) 16.02 inch ----- (777NS,787NS Series)
3. Active Display Area	310mm (H) × 230mm (V)
4. Synchronization Range	
Horizontal	30 – 70 KHz ----- (772NS,777NS Series) 30 – 86 KHz ----- (786NS,986NS Series)
Vertical	50 – 160 Hz
5. Power Source	100 – 240 Vac , 60/50 Hz 75W (max.) ----- (772NS Series)
6. Power Consumption	100W (max.) ----- (777NS,786NS Series) 110W (max.) ----- (787NS Series)
7. Input Signal	
Video	Analog R.G.B. , 0.7Vp-p / 75 Ohm
Sync.	TTL level,positive or negative polarity
8. Connection Type	15 Pin D Type
9. Resolution	1600 × 1200 pixels
10. Color Temperature	9300°K / 6500°K
	410 × 410 × 420 (mm) ----- CA/TA/PX/FX Series
	16.14 × 16.14 × 16.54 (inch)
	406× 413 × 435 (mm) ----- BZ/IZ Series
	15.98 × 16.26 × 17.13 (inch)
	406 × 400 × 416 (mm) ----- DF Series
	15.98 × 15.75 × 16.38 (inch)
	406 × 407 × 417 (mm) ----- DX Series
	15.98 × 16.02 × 16.42 (inch)
	410 × 412 × 420 (mm) ----- PF Series
	16.14 × 16.22 × 16.53 (inch)
11. Dimension (W×H×D)	16.5Kg (36.3Lbs) ----- 772NS,786NS Series 18.5Kg (40.7Lbs) ----- 777NS,787NS Series
12. Monitor Weight	
13. Base Operation	
Tilt	- 5° / + 15°
Swivel	- 45° / + 45°
14. Power Saving	
ON	< 75W ----- (772NS Series) < 100W ----- (777NS,786NS Series) < 110W ----- (787NS Series)
OFF	< 5W
15. Signal Connector Pin Assignment	
Pin No.	
1. Red	6. Red Ground
2. Green	7. Green Ground
3. Blue	8. Blue Ground
4. Ground	9. Not Connected
5. Self Test	10. Sync. Ground
	11. Ground
	12. SDA
	13. Horizontal Sync.
	14. Vertical Sync.
	15. SCL

986NS Series

1. Screen	19" F&S 0.25mm,Antistatic coating	
2. Visible Image Area	17.9 inch	
3. Active Display Area	360mm (H) × 270mm (V)	
4. Synchronization Range		
Horizontal	30 – 86 KHz	
Vertical	50 – 160 Hz	
5. Power Source	100 – 240 Vac , 60/50 Hz	
6. Power Consumption	110W (max.)	
7. Input Signal		
Video	Analog R.G.B. , 0.7Vp-p / 75 Ohm	
Sync.	TTL level,positive or negative polarity	
8. Connection Type	15 Pin D Type	
9. Resolution	1600 × 1200 pixels	
10. Color Temperature	9300°K / 6500°K	
11. Dimension (W×H×D)	446 × 462 × 454 (mm) ----- PX Series	
	17.56 × 17.80 × 17.87 (inch)	
	446 × 460 × 475 (mm) ----- BZ/IZ Series	
	17.56 × 18.11 × 18.70 (inch)	
12. Monitor Weight	19.6Kg (43.1 Lbs)	
13. Base Operation		
Tilt	- 5° / + 15°	
Swivel	- 45° / + 45°	
14. Power Saving		
ON	< 110W	
OFF	< 5W	
15. Signal Connector Pin Assignment		
Pin No.		
1. Red	6. Red Ground	11. Ground
2. Green	7. Green Ground	12. SDA
3. Blue	8. Blue Ground	13. Horizontal Sync.
4. Ground	9. Not Connected	14. Vertical Sync.
5. Self Test	10. Sync. Ground	15. SCL

C. TIMING CHART



Preset Modes	VGA 640 x 480	VGA 720 x 400	VESA 800 x 600	VESA 640 x 480	XGA 1024 x 768	SIEMENS 640 x 480	VESA 800 x 600	VESA 1024 x 768	SIEMENS 800 x 600	VESA 1024 x 768	VESA 1280 x 1024
Dot Rate (MHz)	25.175	28.322	40.000	36.000	65.000	40.500	56.25	78.750	67.5	94.5	135
F.H (KHz)	31.469	31.469	37.879	43.269	48.363	50.600	53.674	60.023	63.92	68.677	79.976
A- Period (uS)	31.778	31.778	26.400	23.111	20.677	19.752	18.631	16.660	15.644	14.561	12.504
B- Active (uS)	25.422	25.422	20.000	17.778	15.754	15.802	14.222	13.003	11.852	10.836	9.481
C- Sync (uS)	3.813	3.813	3.200	1.556	2.092	1.58	1.138	1.219	0.948	1.016	1.067
D-Back Porch (uS)	1.907	1.907	2.200	2.222	2.462	1.975	2.702	2.235	2.370	2.201	1.837
E-Front Porch (uS)	0.318	0.318	1.000	1.556	0.369	0.395	0.569	0.203	0.474	0.508	0.119
F . V (Hz)	59.941	70.087	60.317	85.0	60.004	100.1	85.061	75.029	100.0	84.997	75.025
A- Period (Ms)	16.683	14.268	16.579	11.764	16.666	9.995	11.756	13.328	9.997	11.765	13.329
B- Active (mS)	15.253	12.711	15.840	11.093	15.880	9.481	11.179	12.795	9.387	11.183	12.804
C- Sync (mS)	0.064	0.064	0.106	0.069	0.124	0.059	0.056	0.050	0.047	0.044	0.038
D-Back Porch (mS)	1.049	1.112	0.607	0.578	0.600	0.435	0.503	0.466	0.548	0.524	0.475
E-Front Porch (mS)	0.254	0.222	0.026	0.023	0.062	0.02	0.019	0.017	0.016	0.015	0.013
H/V SYNC	- . -	- . +	- . -	+ . +	- . -	- . -	+ . +	+ . +	+ . +	+ . +	+ . +
Interlaced	NON	NON	NON	NON	NON	NON	NON	NON	NON	NON	NON

D. CONTROL LOCATION

Font control panel

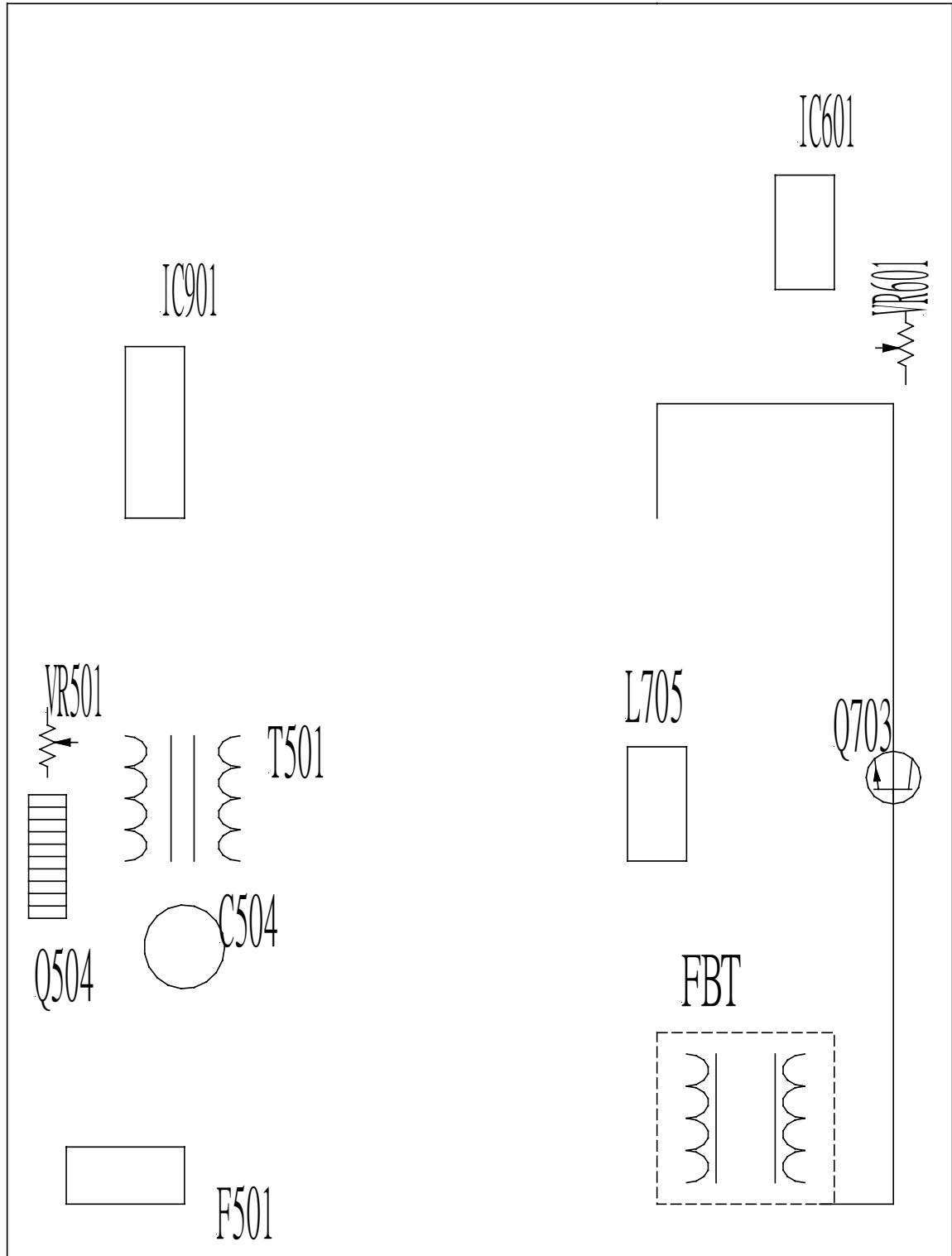
One key type

- a.** Power Switch
- b.** Power Indicator
- c.** Encoder
- d.** Enhance Key

Four key type

- a.** Power Switch
- b.** Power Indicator
- c.** Exit
- d.** + Adjust
- e.** – Adjust
- f.** Menu

E. ADJUSTMENT CONTROL LOCATION



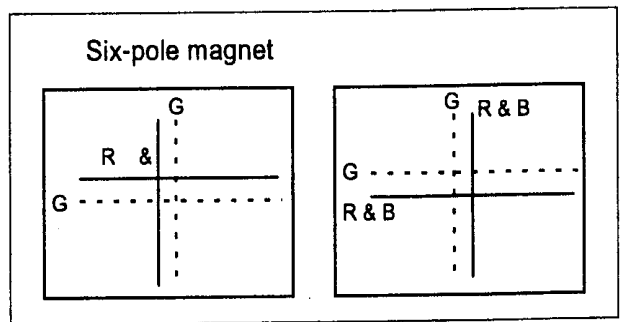
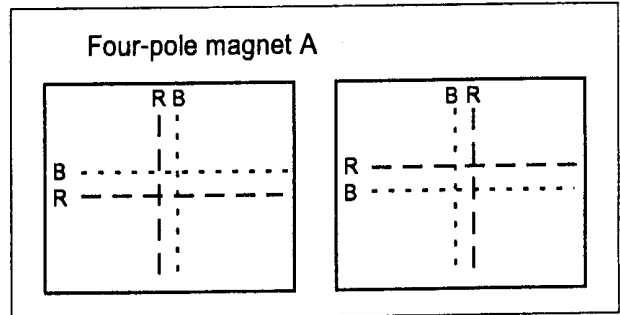
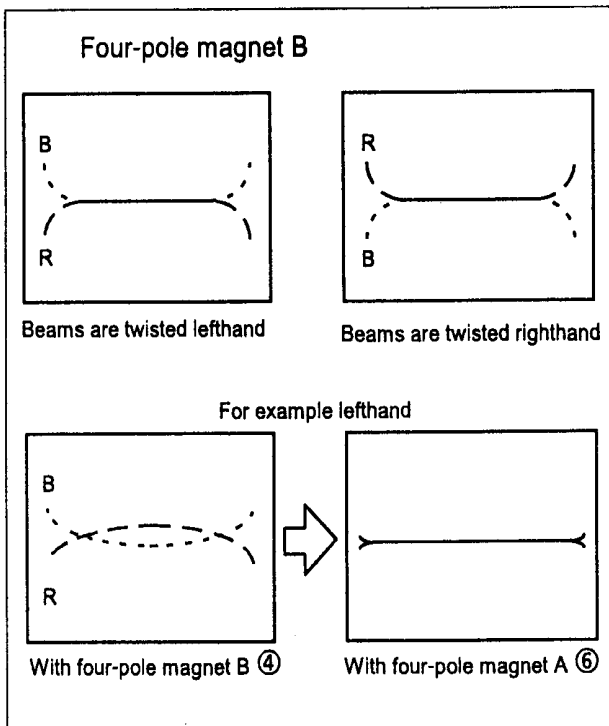
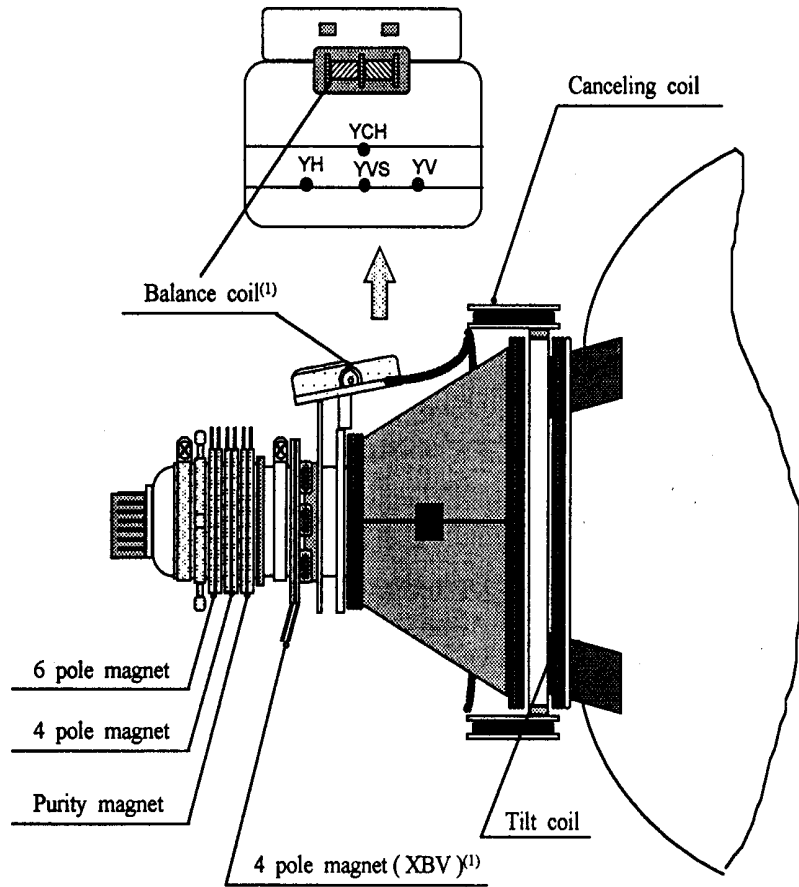
F. ADJUSTMENT PROCEDURE

ITEM Program Menu.		# Test Meter * Test Point @ Pattern	Operation	Adjusting Value
A	B+ Adjust	# Digital Voltmeter * D510 Negative @ Crosshatch Pattern (31.5KHz,640x480)	<ol style="list-style-type: none"> 1. Make the adjustment to the value shown at right by turning the VR501 on the main PCB. 	15.5V ±0.2V
B	High Voltage Adjust	# Digital Voltmeter # High Voltage Probe * Anode Cap-GND @ Crosshatch Pattern (31.5KHz,640x480)	<ol style="list-style-type: none"> 1. Turn the power switch of the monitor OFF. 2. Connect high voltage probe to Anode Cap and GND. 3. Turn the power switch of the monitor ON. (15 minutes) 4. Make the adjustment to the value shown at right by turning the VR601 on the main PCB. 	26.0KV (17",19") 25.0KV ±0.1KV (15")
C	Preset Adjust	@ Crosshatch (31.5KHz,640x480)	<ol style="list-style-type: none"> 1. Turn the power switch of the monitor OFF. 2. Hold encorder key, then turn the power switch of the monitor ON. (one key type) Hold MENU key, then turn the power switch of the monitor ON. (four key type) 3. Turn encorder/MENU key, make sure into preset picture, if not, please return 1-2. 4. Please following the procedure of selection and adjusting an item using the OSD system as below steps for main function adjustent. <p>One key model : Step 1 : Press and release the OSD control knob to activate the OSD menu. Step 2 : Turn the knob to highlight the desired option of OSD icon. Step 3 : Press and release the knob again to access the option. The color of the inner area of the OSD will changed from blue to green. Step 4 : To make your adjustment, turn the knob clockwise to increase or counterclockwise to decrease the setting. Step 5 : Press and release the knob again to store the change. the color of the inner area will go back to blue. You can select EXIT icon and press the knob the exit the OSD menu.</p>	Contrast : MAX. Brightness MAX. H-Size : 260mm(15") 310mm(17") 360mm(19") V-Size : 190mm(15") 230mm(17") 270mm(19") H-Posi. : Center V-Posi. : Center

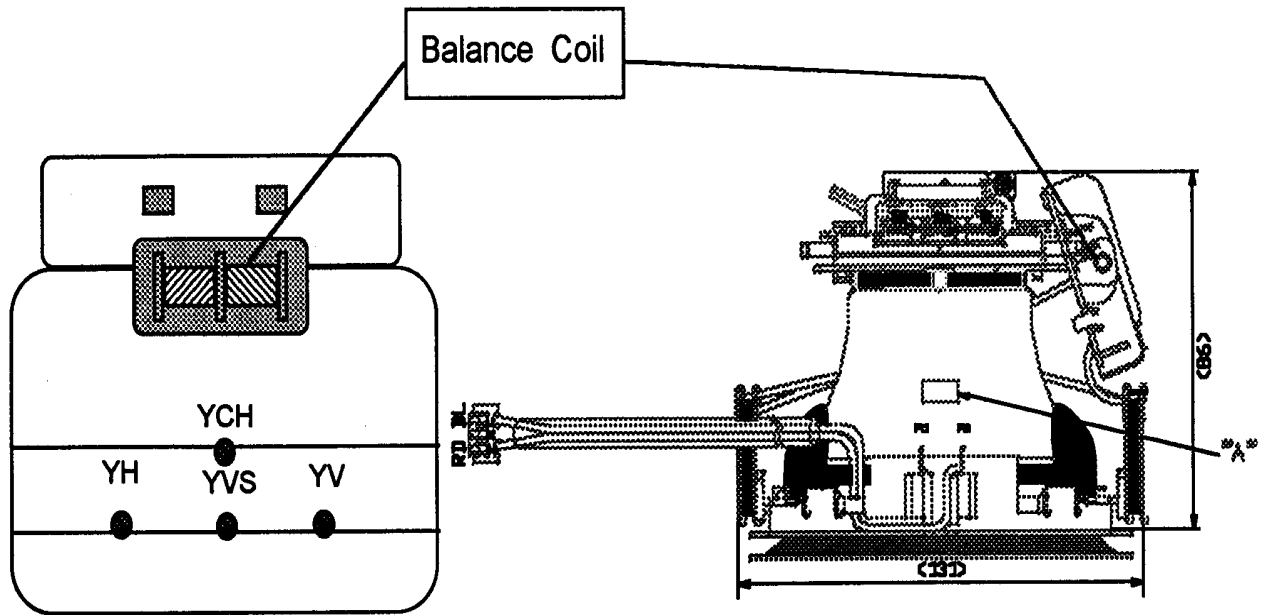
ITEM Program Menu.		# Test Meter * Test Point @ Pattern	Operation	Adjusting Value
C	Preset Adjust		<p>Four key model :</p> <p>Step 1 : Press and release the OSD control knob to activate the OSD menu.</p> <p>Step 2 : Press +/▲or -/▼key to highlight the desired option of OSD icon.</p> <p>Step 3 : Press and release MENU key to access the option. The color of the inner area of the OSD will change from blue to green.</p> <p>Step 4 : To make your adjustment, press +/▲or -/▼key to decrease the setting.</p> <p>Step 5 : Press and release MENU key to store the change. The color of the inner area will go back to blue. You can select other function to make adjustment by +/▲or -/▼. Also you can select exit icon or press Exit key to exit the OSD menu.</p>	Other adj. : Best Point
D	Background White Balance Adjust	# Color Analyzer @ R.G.B off (68KHz,1024x768)	<ol style="list-style-type: none"> 1. Set the contrast to MAX., Brightness to Y=0.7 set color is 9300°K using the OSD. 2. Set the OSD to COLOR of sub menu and press knob. 3. Make the adjustment R.G.B BIAS low light to the value shown at right by using encoder. 	Y = 0.7 ±0.1FL x = 0.283 ±0.01 y = 0.297 ±0.01
E	White Balance Adjust	# Color Analyzer # Oscilloscope * Cathode G @ 3" block (68KHz,1024x768)	<ol style="list-style-type: none"> 1. Move the OSD to the R.G.B. DRIVE. 2. Move the OSD to the G DRIVE and make the adjustment to the value shown at right by using encoder. 3. Move the OSD to the R,B-DRIVE and make the Adjustment to the value shown at right by using Encoder. 	37VP-P x = 0.283 ±0.01 y = 0.297 ±0.01
F	ABL Adjust	# Color Analyzer @ Full White (64KHz,1280x1024)	<ol style="list-style-type: none"> 1. Set the contrast to MAX., Brightness to MAX. 2. Make the adjustment to the value shown at right by adjustment ABL on the OSD menu. 	Y = 33FL
G	Other Function Setting	@ Full White (64KHz,1280x1024)	<ol style="list-style-type: none"> 1. Set the FREQ. to 55 (562NS) 72 (777NS,772NS,572NS) 87 (786NS,787NS,986NS) 2. Set the OSD to PROVIEW 3. Set the BURN to Disable 4. Set the TIME to 15 5. Set the DEFO to TDA9113/9112 (786NS,787NS,986NS) TDA9115 (772NS,572NS,562NS) 	

ITEM Program Menu.		# Test Meter * Test Point @ Pattern	Operation	Adjusting Value
H	Dynamic Focus Adjust	# Oscilloscope * FBT Pin14 @ Full White (31.5KHz,640x480)	<ol style="list-style-type: none"> 1. Set the contrast to MAX.,and adjustment Brightness to the raster just appear. 2. Make the adjustment to the value shown at right by adjust the VF on the OSD menu. 3. Make the check to the value shown at right by adjust the HF on the OSD menu. 	VF : 140(17") 150(19") ±10VP-P HF : 430(17") 450(19") ±10VP-P
I	Purity Adjust	@ Magenta color (31.5KHz,640x480)	<ol style="list-style-type: none"> 1. Adjust the purity magnet is in magneta color. 2. Turning two overlapping pawels in opposite directions. 3. Move them until they are at the same angle, 9 o'clock and 3 o'clock respectively. 	
J	Static Convergence Adjust	@ Magenta color (31.5KHz,640x480)	<ol style="list-style-type: none"> 1. Open the two pawels of the 4 pole magnets to allow the red and blue vertical lines to unite. 2. Open and rotate the two pawels at a contrast angle so that the red and blue horizontal lines can unite. 3. If the vertical lines deviates,open the two powals at the deviation position and make a monitor adjustment by changing its angle. 4. Display white crosshatch pattern. 5. Make the red and blue vertical lines at the center unite with the green by opening the two 6 pole pawels. 6. Rotate the two pawels at contrast angle so that the red and blue horizontal lines can unite with the green. 7. If the vertical lines deviate,change the angle of Pawels from the deviation position. 	

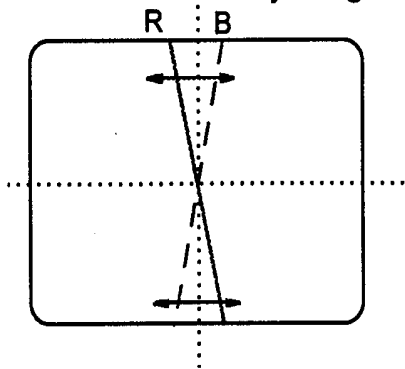
ADJUSTMENT CONTROL LOCATION



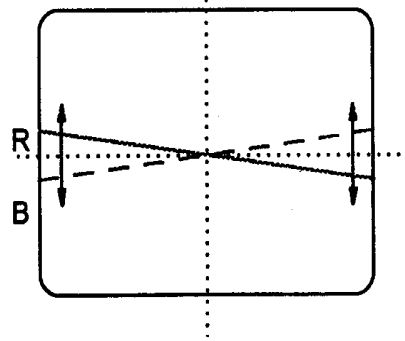
Convergence Adjusting Method



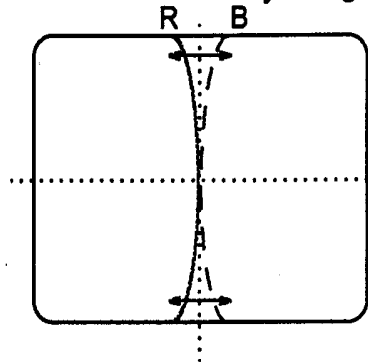
* YCH : YCH Adjusting



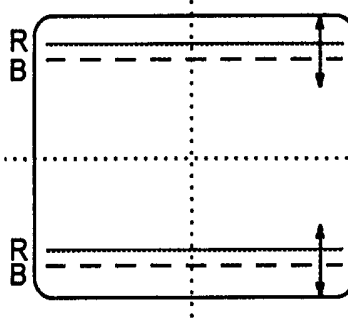
* Balance Coil : XCV Adjusting



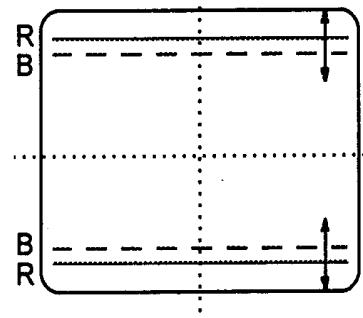
* YH : YBH Adjusting



* YVS : YVS Adjusting

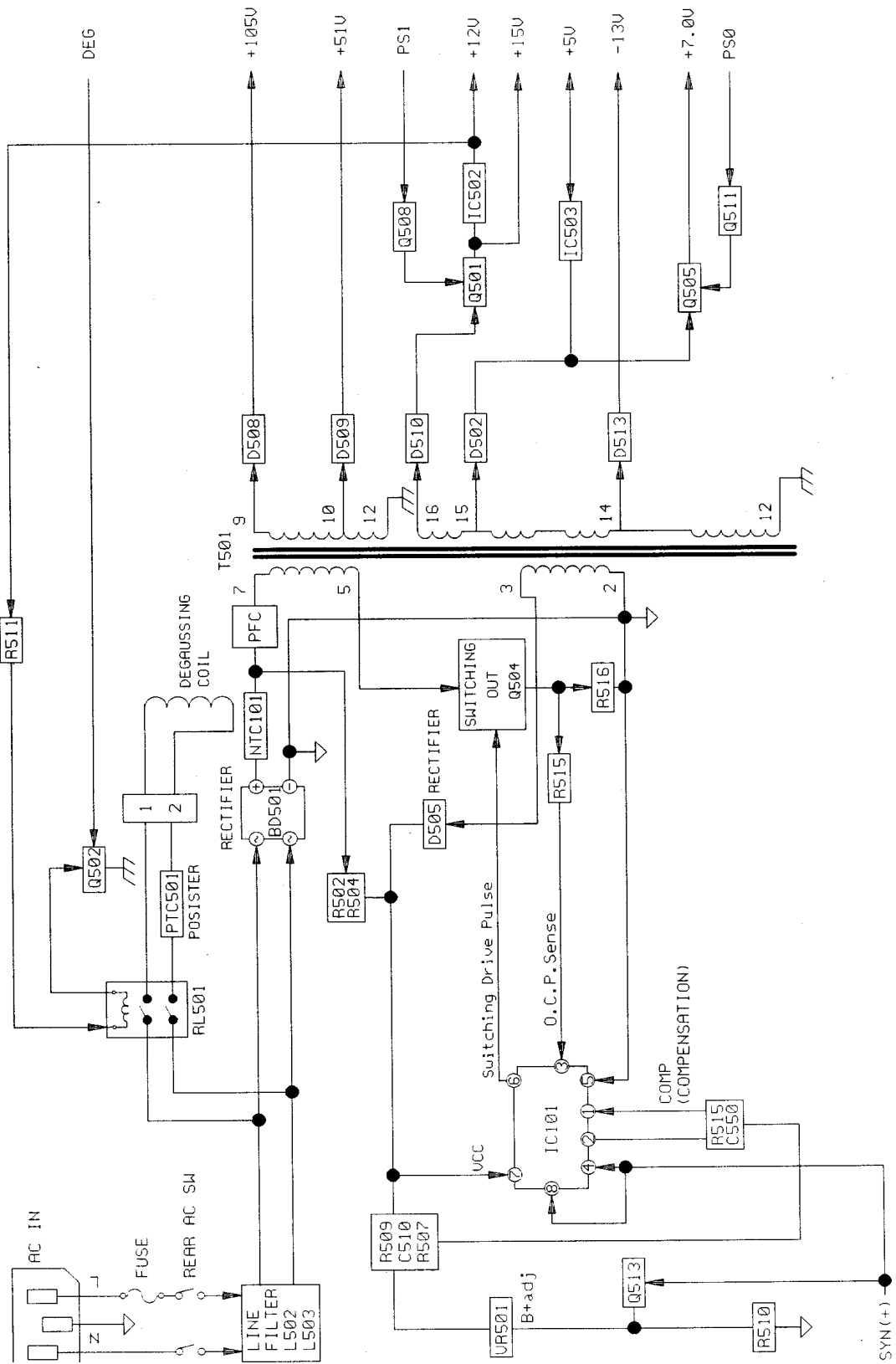


* YV : Tilt Adjusting

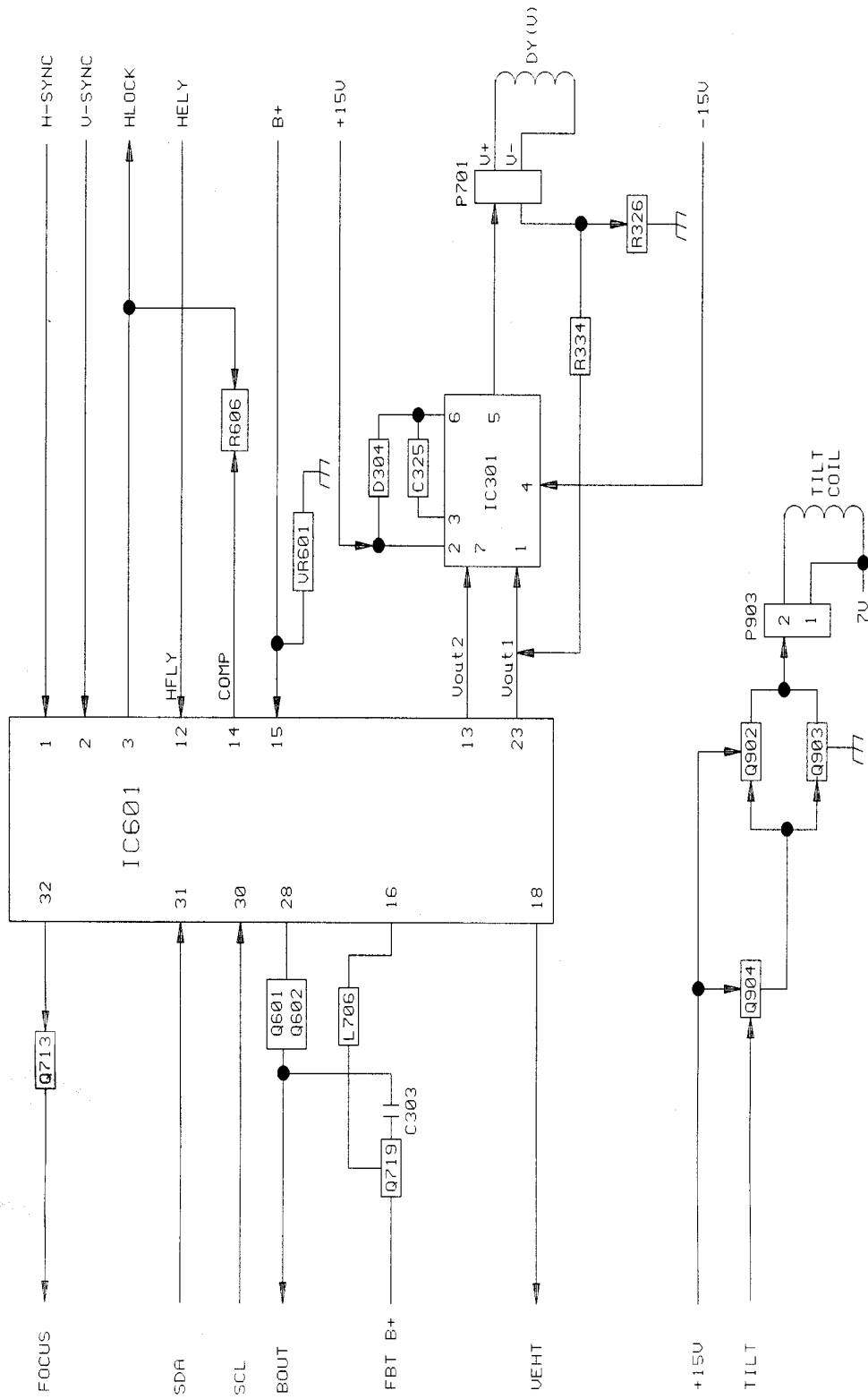


G. BLOCK DIAGRAM

SHEET 1 / POWER SUPPLY



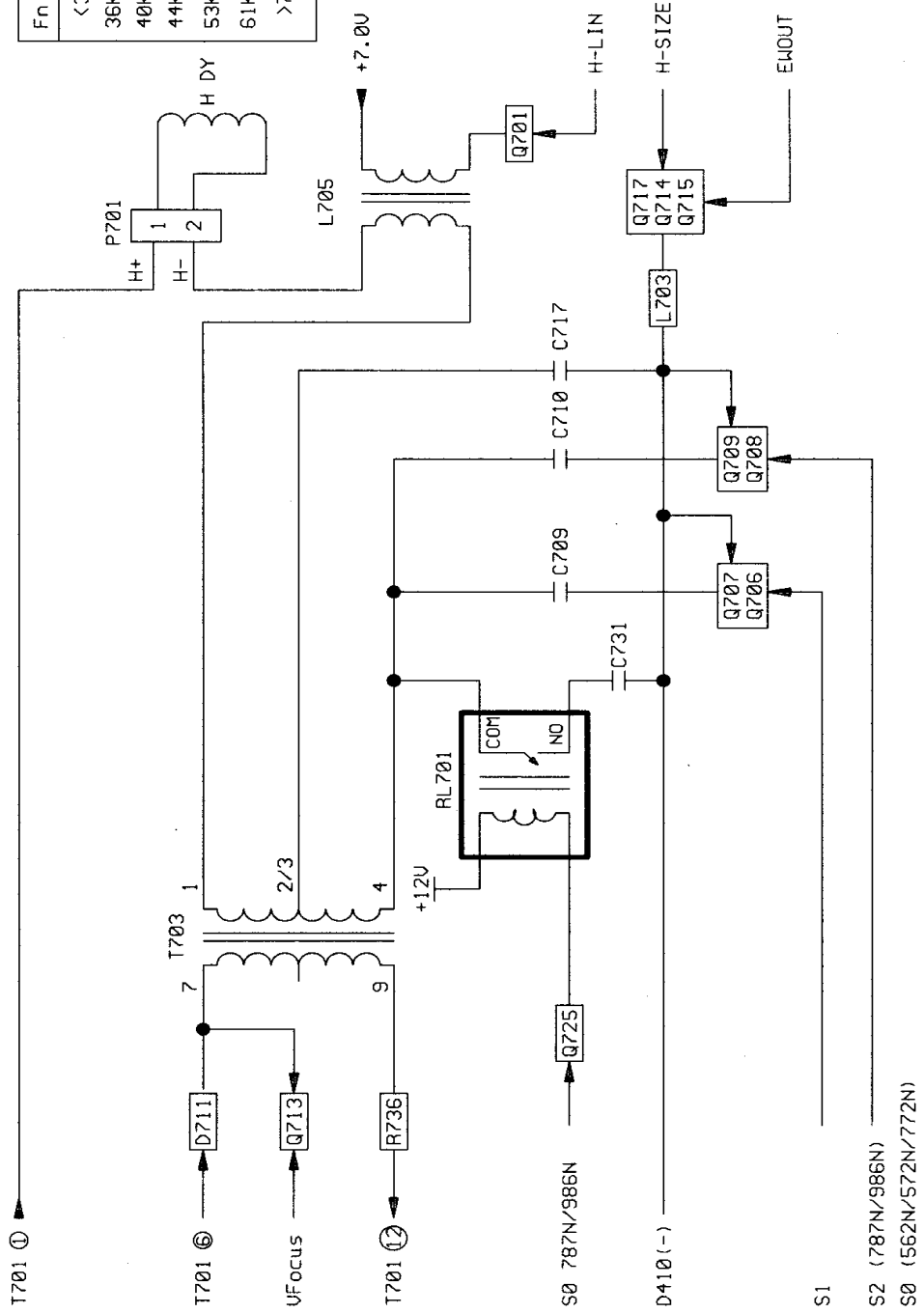
SHEET 2 H/V CONTROL/V OUT/TILT CONTROL



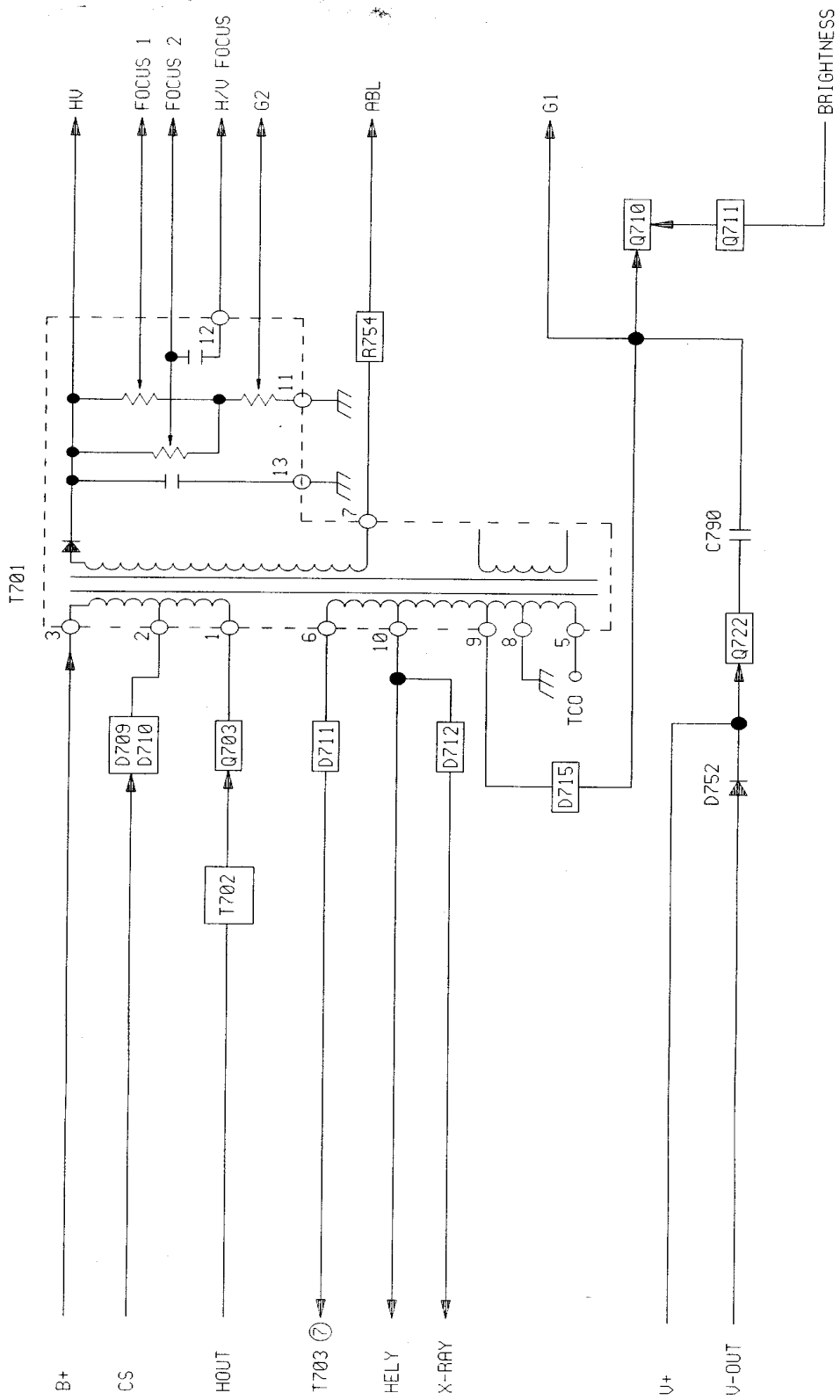
SHEET 3 H DRIVE/H OUT/H LIN/H-SIZE

Cs TABLE (787N/986N)

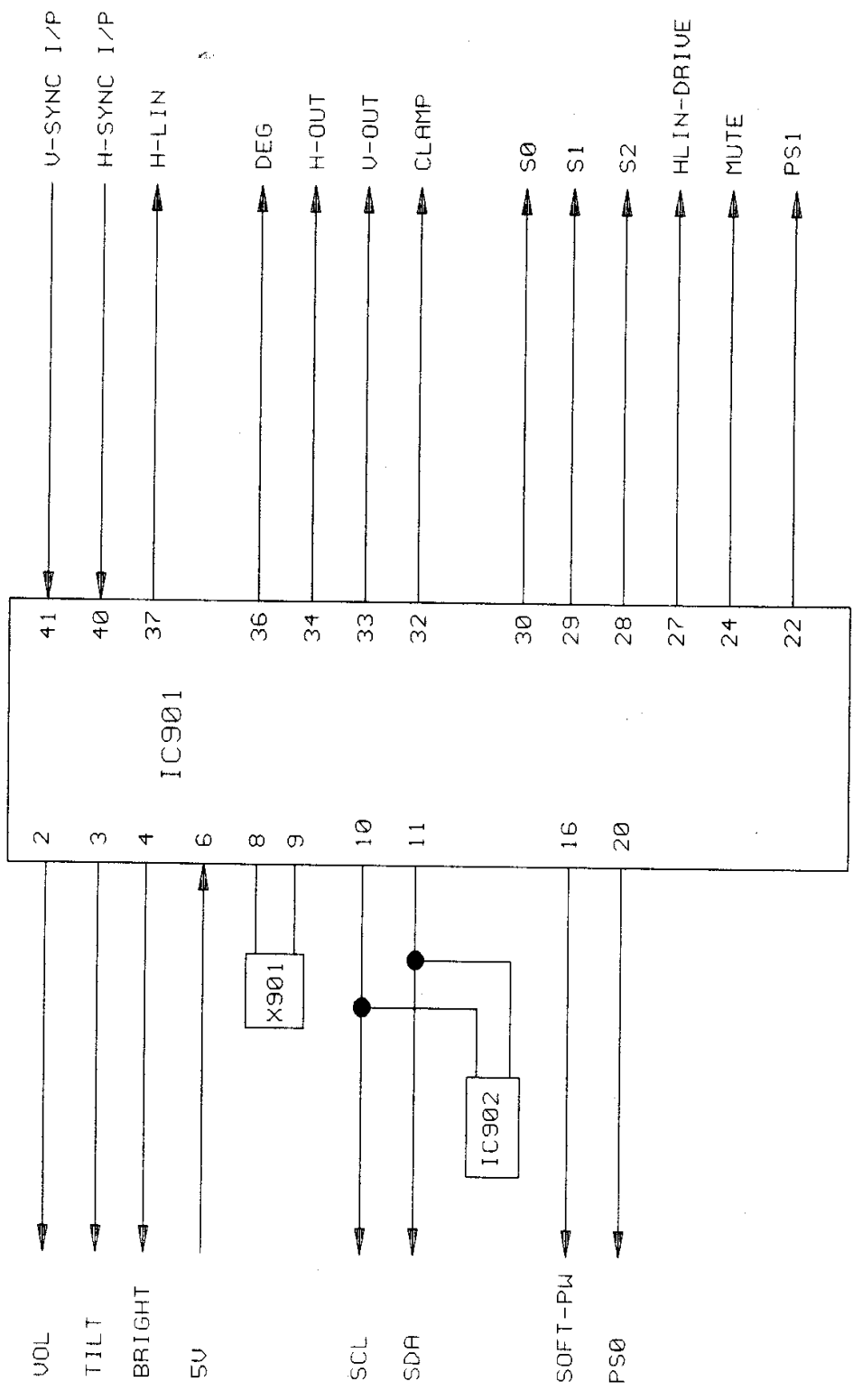
Fn	S0	S1	S2
<36K	0	0	0
36K-40K	0	1	0
40K-44K	0	1	1
44K-53K	1	0	0
53K-61K	1	0	1
61K-73K	1	1	0
>73K	1	1	1



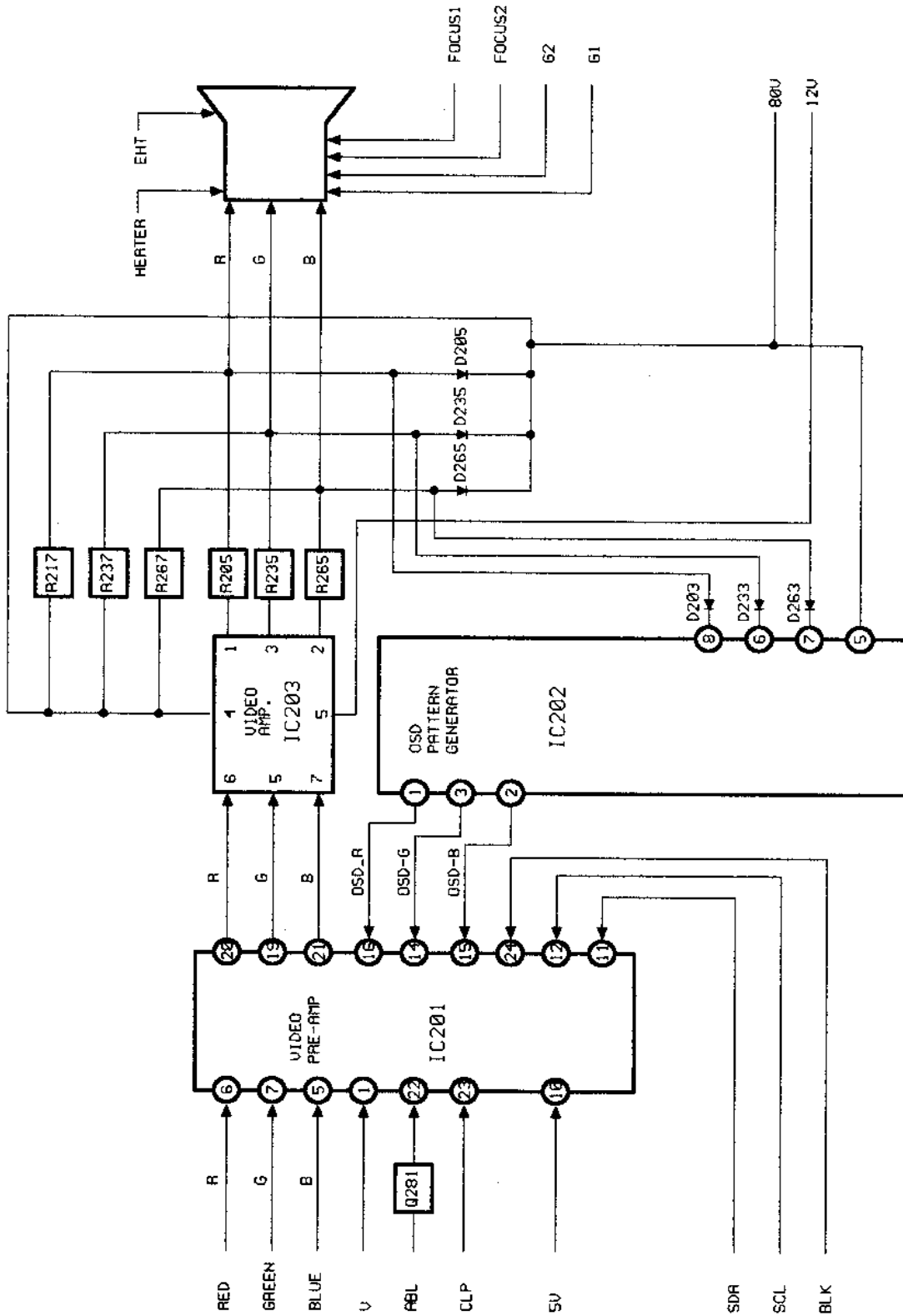
SHEET 4 EHT OUT / DYNAMIC FOCUS



SHEET 5 MICON CONTROLLER



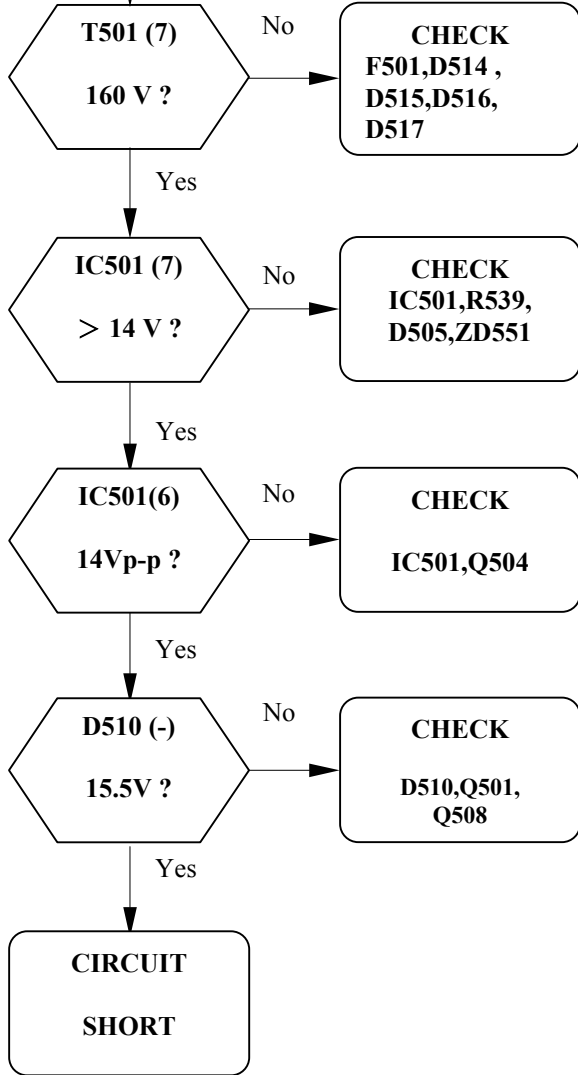
SHEET 6 VIDEO



**BRIGHT HOR. LINE
APPEAR ON THE
SCREEN**

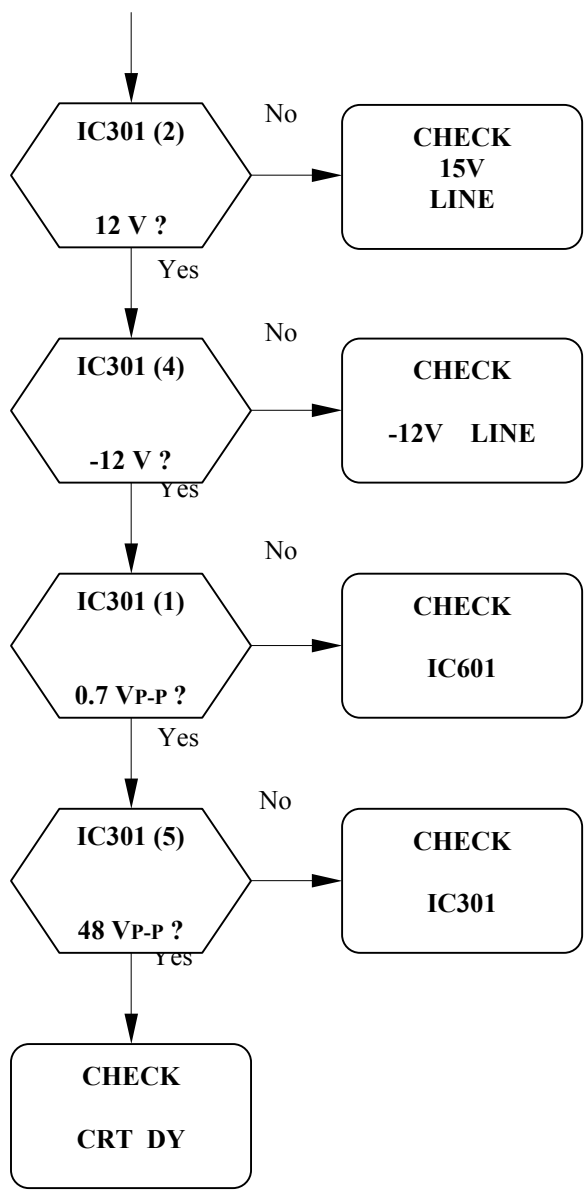
NO POWER

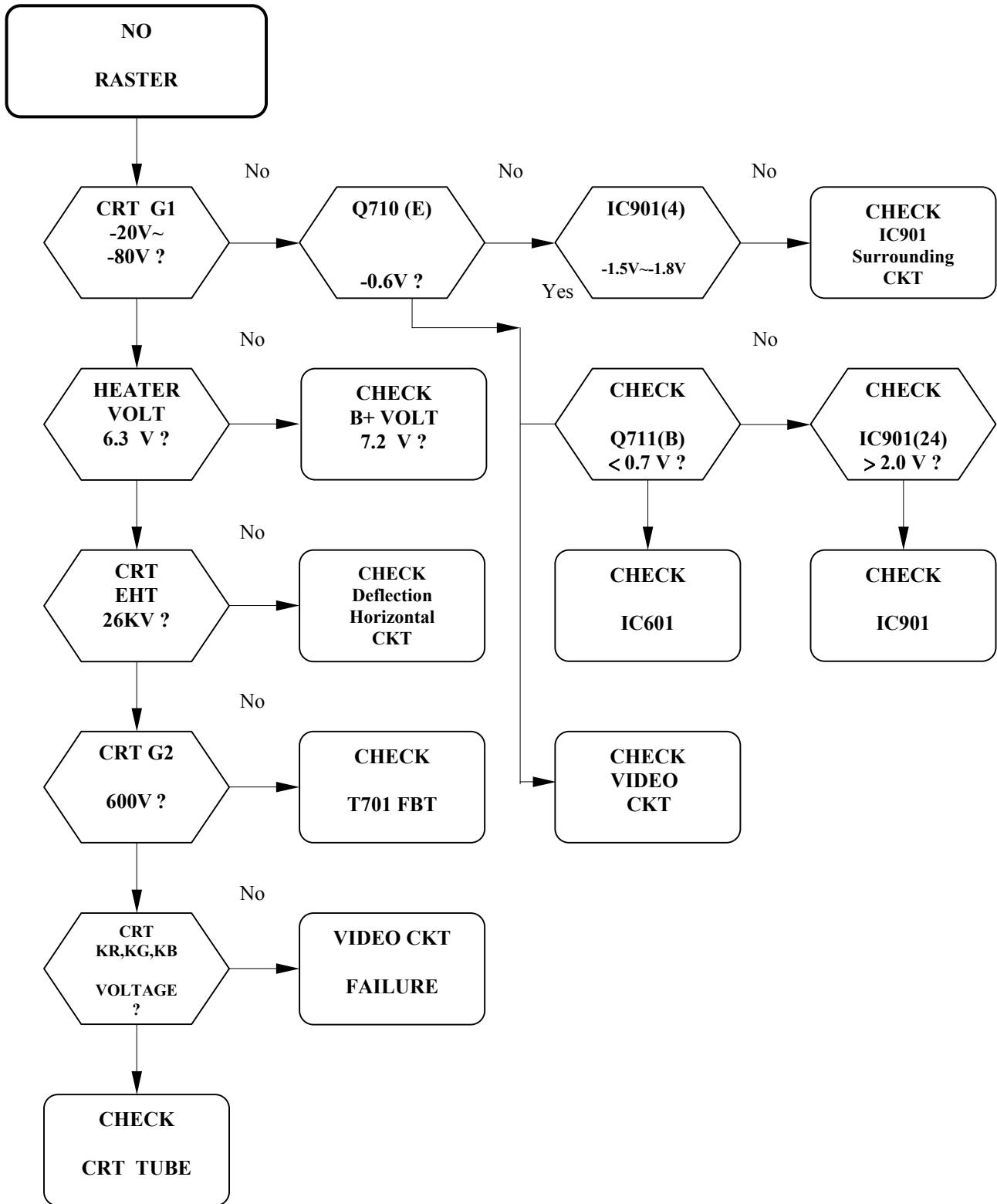
TROUBLE SHOOTING HINTS

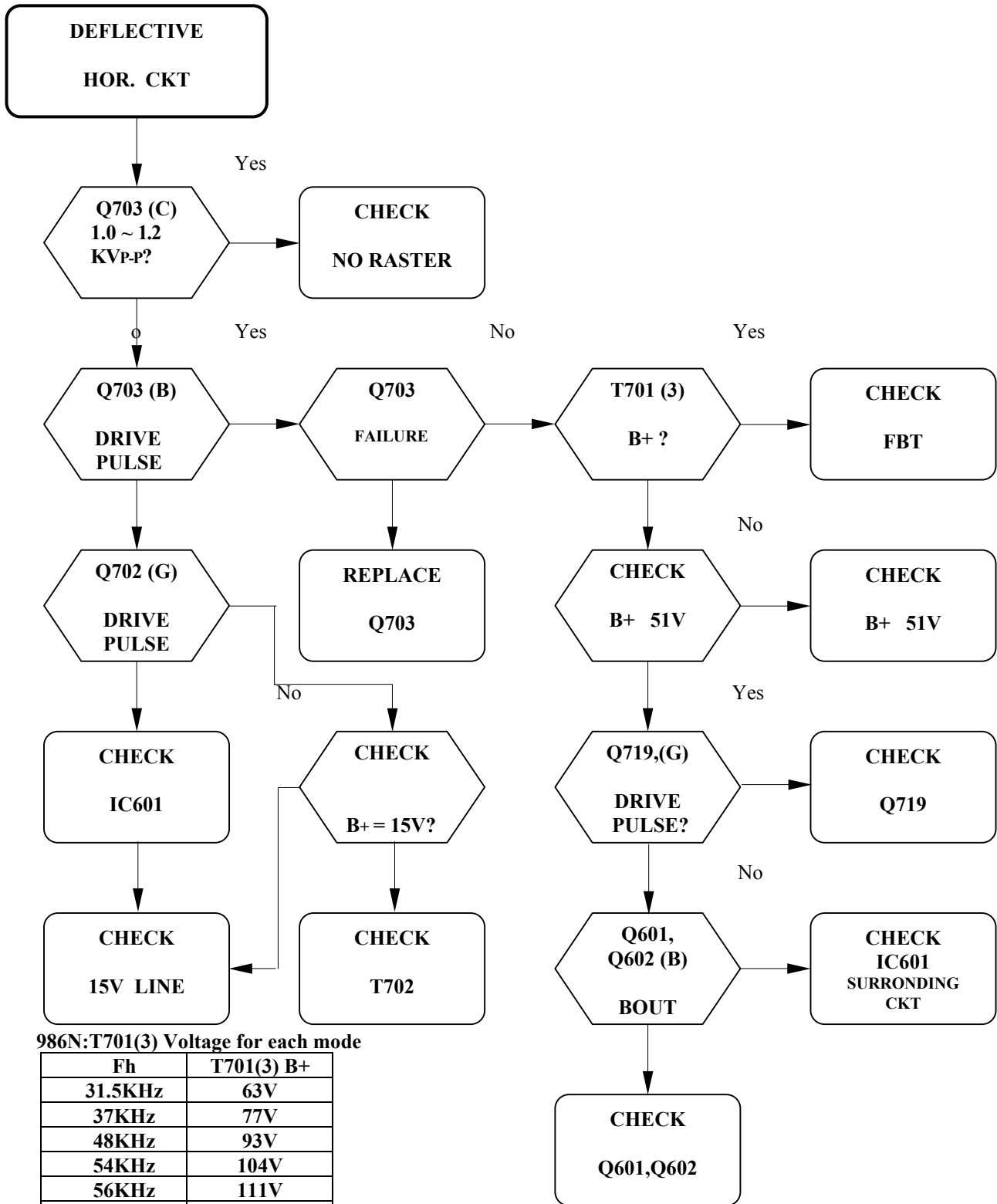


T501(7) VOLTAGE

AC120V IN	160V
AC220V IN	294V
AC230V IN	308V

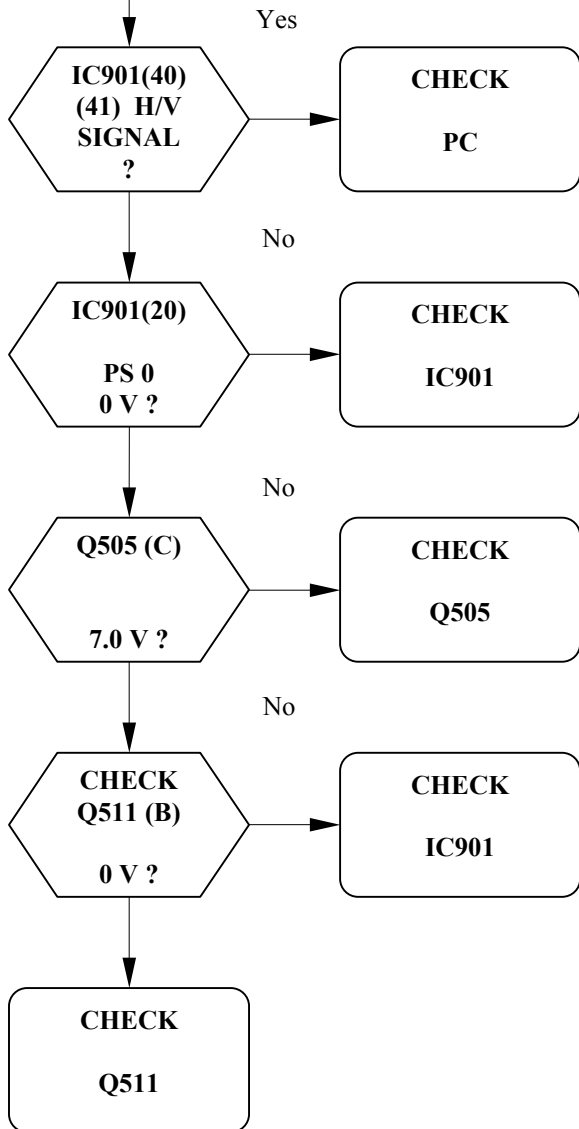
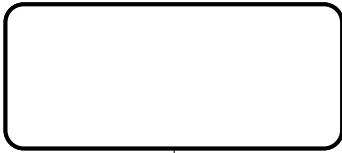






986N:T701(3) Voltage for each mode

Fh	T701(3) B+
31.5KHz	63V
37KHz	77V
48KHz	93V
54KHz	104V
56KHz	111V
64KHz	127V
68KHz	139V
75KHz	153V
80KHz	166V
86KHz	181V

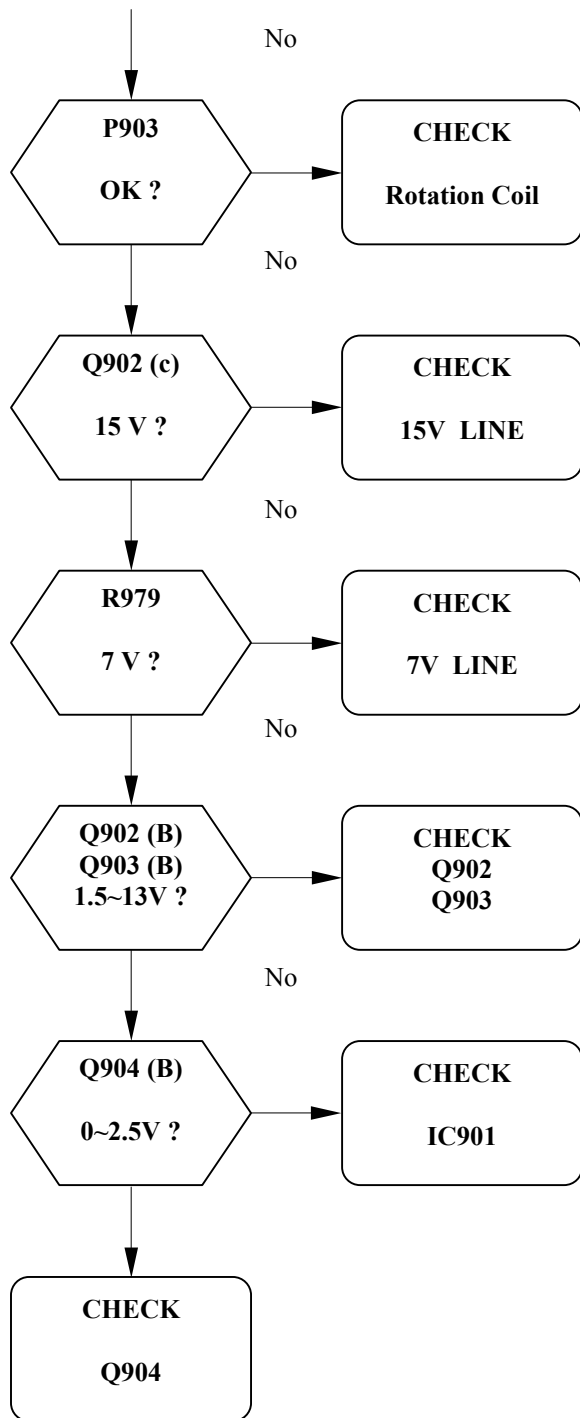


VESA STANDARD DPMS

ITEM MODE	H/V Sync.	VIDEO	LED GREEN
NORMAL	ON/ON	NORMAL	ON
STAND BY	OFF/ON	OFF	FLICKER
SUSPEND	ON/OFF	OFF	FLICKER
OFF	OFF/OFF	OFF	FLICKER

IC901 PIN40,PIN41 SIGNAL.

	PIN40	PIN41
NORMAL	H	H
STAND BY	H	L
SUSPEND	H	L
OFF	L	L



OSD DOES NOT WORK

sing Green

**CRT KG
80V_{0-P}?**

No

**NO
RASTER**

**IC203 (3)
39 V_{P-P} ?**

No

**CHECK
IC203**

**IC203
(8)
12 V ?**

No

**CHECK
12V**

**IC201
(10)
5 V ?**

No

**CHECK
IC201**

**IC201 (7)
0.7V_{P-P} ?**

No

**CHECK I/P
SIGNAL**

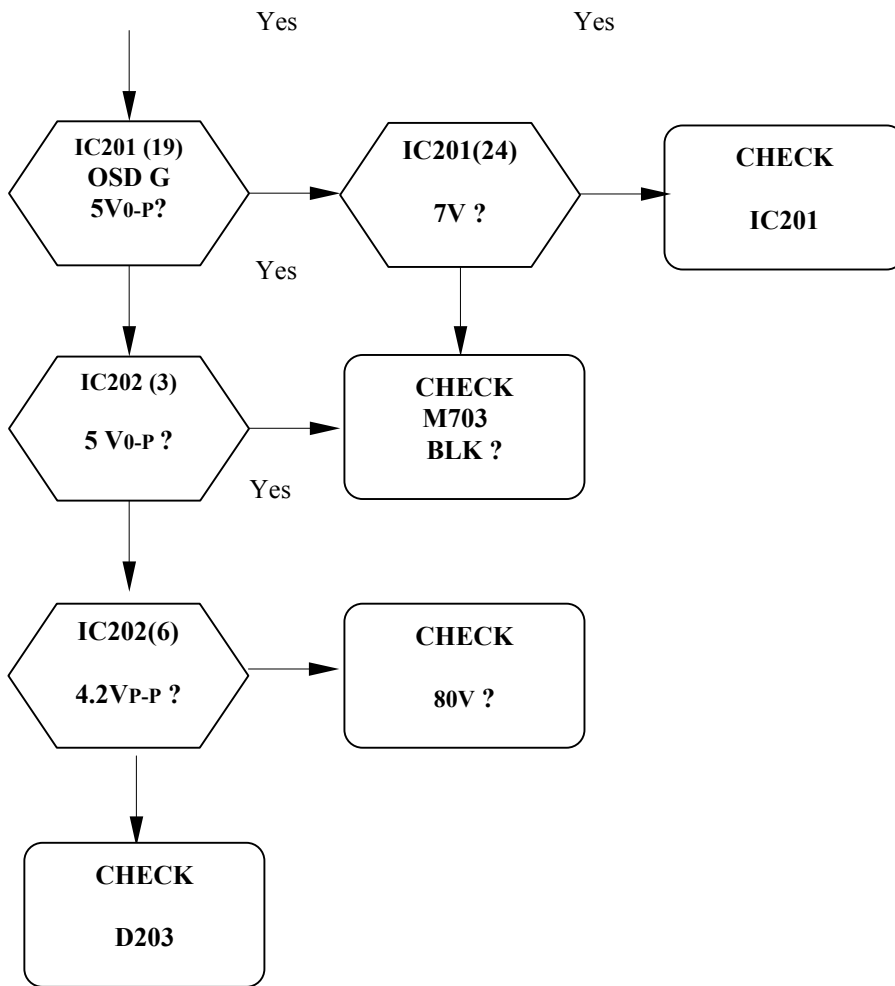
**IC201
(19)
0.4 V ?**

No

**CHECK
IC901
(32)**

**CHECK
IC201**

Example : Missing Green
Condition : OSD on



I. REPLACEMENT PARTS LIST

986NS/787NS/786NS/777NS/772NS/572NS/562NS

Spare Parts List

REV:A

Location.	Parts Number	Parts Description	Q'ty
R631	210-100-0256	10Ω 1/2W	1
R734 (986NS,787NS,786NS,772NS) (572NS,562NS)	210-100-0256 Open	10Ω 1/2W Open	1
R762	210-100-0456	10Ω 1/4W	1
R7A2	210-100-0856	10Ω 1/8W	1
R612,611,663,912,918,926,927,976 R977	210-101-0456	100Ω 1/4W	9
R205,235,265,281,284,285,516,664 R711A,918A,942,943,952,953,982 R984,985	210-101-0856	100Ω 1/8W	17
R703 (986NS,787NS,786NS) (772NS)	210-101-0856 Open	100Ω 1/8W Open	1
R736 (986NS,787NS,786NS,72NS) (572NS,562NS)	210-102-0256 Open	1KΩ 1/2W Open	1
R735 (772NS) (572NS,562NS)	210-102-0256 Open	1KΩ 1/2W Open	1
R525,740,754,7A8	210-102-0456	1KΩ 1/4W	4
R210,240,270,533,546,626,755,793 R974,993	210-102-0856	1KΩ 1/8W	10
R991 (986NS,787NS,786NS) (772NS)	210-102-0856 Open	1KΩ 1/8W Open	1
R529,536,610,983	210-103-0456	10KΩ 1/4W	4
R288,291,510,590, 606,615, 630, 651 R730,931,947	210-103-0856	10KΩ 1/8W	11
R710 (986NS,786NS) (787NS,572NS,562NS) (772NS)	210-103-0856 210-203-0856 210-133-0856	10KΩ 1/8W 20KΩ 1/8W 13KΩ 1/8W	1
R724 (986NS,787NS,786NS,772NS,572NS) (562NS)	210-103-0856 Open	10KΩ 1/8W Open	1
R797A (986NS,787NS,786NS,777NS) (772NS)	210-103-0856 210-303-0856	10KΩ 1/8W 30KΩ 1/8W	1
R2A3,770	210-104-0256	100KΩ 1/2W	2
R508,731	210-104-0456	100KΩ 1/4W	2
R725 (986NS,787NS,786NS,772NS,572NS) (562NS)	210-104-0456 Open	100KΩ 1/4W Open	1
R767	210-104-0856	100KΩ 1/8W	1
R757	210-105-0456	1MΩ 1/4W	1
R745 (986NS,787NS,786NS,772NS) (572NS,562NS)	210-112-0856 Open	1.1KΩ 1/8W Open	1
R737 (986NS,786NS,772NS) (787NS,777NS)	210-114-0456 210-134-0456	110KΩ 1/4W 130KΩ 1/4W	1
R929 (986NS,772NS) (787NS)	210-114-0456 210-683-0456	110KΩ 1/4W	1

(786NS) (777NS,572NS,562NS)	210-823-0456 210-753-0456	68K Ω 82 K Ω 75 K Ω	1/4W 1/4W 1/4W	
R303	210-123-0456	12K Ω	1/4W	1
R666 (986NS) (787NS,786NS,772NS) (572NS,562NS)	210-123-0856 210-223-0856 210-103-0856	12K Ω 22K Ω 10K Ω	1/8W 1/8W 1/8W	1
R768 (986NS,787NS,786NS 772NS) (572NS,562NS)	210-133-0856 210-822-0856	13K Ω 8.2K Ω	1/8W 1/8W	1
R761 (986NS) (787NS,772NS)	210-152-0456 210-272-0456	1.5K Ω 2.7K Ω	1/4W 1/4W	1
R602	210-153-0456	15K Ω	1/4W	1
R608	210-153-0856	15K Ω	1/8W	1
R515,589	210-154-0856	150K Ω	1/8W	2
R614	210-182-0856	1.8K Ω	1/8W	1
R797A	210-183-0856	18K Ω	1/8W	1
R914	210-203-0456	20K Ω	1/4W	1
R629 (986NS,787NS,786NS,772NS) (572NS,562NS)	210-203-0856 221-081-1802	20K Ω 18K Ω	1/8W 1% 1/8W	1
R307,732	210-2R2-0456	2.2 Ω	1/4W	2
R715 (772NS) (572NS)	210-220-0256 210-470-0256	22 Ω 47 Ω	1/2W 1/2W	1
R2A7	210-220-0456	22 Ω	1/4W	1
R207,237,267,	210-221-0256	220 Ω	1/2W	3
R534	210-221-0456	220 Ω	1/4W	1
R205,235.265,910,911	210-221-0856	220 Ω	1/8W	5
R741	210-222-0856	2.2K Ω	1/8W	1
R706,708 (986NS,787NS,786NS) (772NS)	210-222-0856 Open	2.2K Ω Open	1/8W	2
R535,654,728	210-223-0856	22K Ω	1/8W	3
R667 (986NS,787NS,786NS,772NS) (572NS,562NS)	210-223-0856 210-153-0856	22K Ω 15K Ω	1/8W 1/8W	1
R723 (986NS,787NS,786NS,772NS,572NS) (562NS)	210-223-0856 Open	22K Ω Open	1/8W	1
R717 (986NS,787NS,786NS) (772NS)	210-223-0856 Open	22K Ω Open	1/8W	1
R794A (986NS,787NS,786NS) (772NS)	210-245-0856 Open	2.4M Ω Open	1/8W	1
R308 (986NS,786NS,772NS) (787NS) (572NS) (562NS)	210-271-0256 210-471-0256 210-181-0256 210-391-0256	270 Ω 470 Ω 180 Ω 390 Ω	1/2W 1/2W 1/2W 1/2W	1
R521,713	210-271-0456	270 Ω	1/4W	2
R670,7A1	210-302-0856	3.0K Ω	1/8W	2
R514	210-303-0456	30K Ω	1/4W	1

R979	210-330-0456	33 Ω	1/4W	1
R7A6	210-331-0856	330 Ω	1/8W	1
R674 (777NS,772NS) (572NS,562NS)	210-331-0856 Open	330 Ω Open	1/8W	1
R601,665	210-332-0856	3.3K Ω	1/8W	2
R604 (986NS,787NS,786NS,772NS) (572NS,562NS)	210-332-0856 210-103-0856	3.3K Ω 10K Ω	1/8W 1/8W	1
R707 (986NS,787NS,786NS) (772NS)	210-332-0856 Open	3.3K Ω Open	1/8W	1
R603	210-333-0456	33K Ω	1/4W	1
R588	210-333-0856	33K Ω	1/8W	1
R7A7	210-334-0256	330K Ω	1/2W	1
R733 (986NS,787NS,786NS,772NS) (572NS,562NS)	210-334-0456 Open	330K Ω Open	1/4W	1
R207,237,267	210-334-0856	330K Ω	1/8W	1
R724,730	210-363-0856	36K Ω	1/8W	2
R544	210-363-0456	36K Ω	1/4W	1
R287	210-390-0256	39 Ω	1/2W	1
R765	210-392-0856	3.9K Ω	1/8W	1
R7A3,928	210-393-0856	39K Ω	1/8W	2
R615 (986NS) (787NS,786NS,772NS,572NS,562NS)	210-432-0856 210-103-0856	4.3K Ω 10K Ω	1/8W 1/8W	1
R588	210-433-0856	43K Ω	1/8W	1
R712	210-4R7-0456	4.7 Ω	1/4W	1
R202,232,262,551,726,729 L200,L230,L260	210-470-0856	47 Ω	1/8W	9
R726 (986NS,787NS,786NS,772NS,572NS) (562NS)	210-470-0856 Open	47 Ω Open	1/8W	1
R908 (986NS,787NS,786NS,772NS) (572NS,562NS)	210-471-0456 210-271-0456	470 Ω 270 Ω	1/4W 1/4W	1
R771 (986NS,787NS,786NS,772NS) (572NS,562NS)	210-471-0856 Open	470 Ω Open	1/8W	1
R509,532,617,618, 903	210-472-0456	4.7K Ω	1/4W	5
R980 (986NS,787NS,786NS,772NS) (572NS,562NS)	210-472-0456 210-622-0456	4.7K Ω 6.2K Ω	1/4W 1/4W	1
R901 (986NS,787NS,786NS) (772NS)	210-472-0456 622-10a-9101	4.7K Ω Jumper	1/4W	1
R283,2A8,620,653,727,741,933,934, R975,989,994	210-472-0856	4.7K Ω	1/8W	11
R718 (986NS,787NS,786NS,772NS,572NS) (562NS)	210-472-0856 Open	4.7K Ω Open	1/8W	1
R992,716,722,722A (986NS,787NS,786NS) (772NS)	210-472-0856 Open	4.7K Ω Open	1/8W	1
R619,669	210-473-0456	47K Ω	1/4W	2
R290,507,522,622,932,940,941,	210-473-0856	47K Ω	1/8W	7

R501	210-474-0256	470K	1/2W	1
R7B4 (986NS,787NS,786NS) (772NS)	Open 210-474-0856	Open 470K	1/8W	1
R206,236,266,2A2	210-510-0256	51 Ω	1/2W	4
R739,760	210-512-0856	5.1K Ω	1/8W	2
R2A6	210-513-0856	51K Ω	1/8W	1
R905	210-561-0456	560 Ω	1/4W	1
R920	210-561-0856	560 Ω	1/8W	1
R334	210-562-0456	5.6K Ω	1/4W	1
R290.292.294.295	210-562-0856	5.6K Ω	1/8W	4
R604 (986NS,787NS,786NS) (772NS)	210-562-0856 210-332-0856	5.6K Ω 3.3K Ω	1/8W 1/8W	1
R668	210-563-0456	56K Ω	1/4W	1
R292	210-622-0856	6.2K Ω	1/8W	1
R738 (986NS,786NS,772NS) (787NS) (572NS,562NS)	210-622-0856 210-562-0856 210-752-0856	6.2K Ω 5.6K Ω 7.5 K Ω	1/8W 1/8W 1/8W	1
R520	210-6R8-0456	6.8 Ω	1/4W	1
R791	210-682-0856	6.8K Ω	1/8W	1
R746 (986NS,787NS,786NS,772NS) (572NS,562NS)	210-682-0856 Open	6.8K Ω Open	1/8W	1
R588	210-683-0856	68K Ω	1/8W	1
R744 (986NS,787NS,786NS,772NS) (572NS,562NS)	210-683-0856 Open	68K Ω Open	1/8W	1
R201.231.261	210-750-0856	75 Ω	1/8W	3
R981	210-752-0456	7.5K Ω	1/4W	1
R652 (986NS,787NS,786NS,772NS) (572NS,562NS)	210-822-0856 210-273-0856	8.2K Ω 27K Ω	1/8W 1/8W	1
R766 (986NS,772NS,572NS,562NS) (787NS) (786NS)	210-822-0856 210-682-0856 210-512-0856	8.2K Ω 6.8K Ω 5.1K Ω	1/8W 1/8W 1/8W	1
R616	210-823-0856	82K Ω	1/8W	1
R605 (986NS,787NS,786NS,772NS) (572NS,562NS)	210-823-0856 210-273-0856	82K Ω 27K Ω	1/8W 1/8W	1
R539	210-9R1-0256	9.1 Ω	1/8W	1
R703A	213-1R0-1059	1.0 Ω	R-NF 1W	1
R2A1	213-2R2-1059	2.2 Ω	R-NF 1W	1
R2A4	213-7R5-1059	7.5 Ω	R-NF 1W	1
R758	213-102-2059	1K Ω	R-NF 2W	1
R326 (986NS,786NS,772NS) (787NS,777NS)	213-R82-1055 213-R91-1055	0.82 Ω 0.91 Ω	R-MNF 1W R-MNF 1W	1
R502,504	213-823-2059	82K Ω	R-MNF 2W	2
R732	214-2R2-0259	2.2 Ω	R-FR 1/2W	1

RP901	216-472-0457	4.7K Ω \pm 5% R-NW	1
NTC501 (986NS,786NS,787NS) (772NS,572NS,562NS)	218-7R0-0871	7 Ω 8A NTC	1
	218-8R0-0371	8 Ω 3A NTC	
PTC501	219-9R0-0171	9 Ω PTC	1
R711 (986NS,787NS,786NS) (772NS) (562NS)	220-150-2059	15 Ω R-MNF 2W	1
	220-270-2059	27 Ω R-MNF 2W	
	220-300-2059	30 Ω R-MNF 2W	
R704 (986NS) (787NS)	220-151-2059	150 Ω R-MNF 2W	1
	220-331-2059	330 Ω R-MNF 2W	
R777	220-2R2-1059	2.2 Ω R-MNF 1W	1
R513	220-2R7-3059	2.7 Ω R-MNF 3W	1
R714 (986NS) (787NS,786NS) (772NS) (572NS)	220-R33-3059	0.33 Ω R-MNF 3W	1
	220-R47-3059	0.47 Ω R-MNF 3W	
	220-R39-3059	0.39 Ω R-MNF 3W	
	220-R30-3059	0.30 Ω R-MNF 3W	
R623	220-4R7-2059	4.7 Ω R-MNF 2W	1
R528	220-561-1059	560 Ω R-MNF 1W	1
R503	220-753-3059	75K Ω R-MNF 3W	1
R705 (986NS,787NS,786NS) (772NS)	220-8R2-2059	8.2 Ω R-MNF 2W	1
	Open	Open	
R609 (986NS,787NS,786NS) (772NS) (572NS,562NS)	221-081-1152	11.5K Ω 1% 1/8W	1
	221-081-1052	10.5K Ω 1% 1/8W	
	221-081-1102	11K Ω 1% 1/8W	
R749	221-081-2400	240 Ω 1% 1/8W	1
R747	221-081-2702	27K Ω 1% 1/8W	1
R752	221-081-3003	300K Ω 1% 1/8W	1
R751 (986NS,787NS,786NS) (772NS)	221-081-3003	300K Ω 1% 1/8W	1
	221-081-2003	200K Ω 1% 1/8W	
R302	221-081-3572	35.7K Ω 1% 1/8W	1
R753 (986NS) (787NS,772NS,572NS,562NS) (786NS)	221-081-3902	39K Ω 1% 1/8W	1
	221-081-3242	32.4K Ω 1% 1/8W	
	221-081-4122	41.2K Ω 1% 1/8W	
R748	221-081-5101	5.1K Ω 1% 1/8W	1
R613	221-081-5621	5.62K Ω 1% 1/8W	1
R333	221-081-5761	5.76K Ω 1% 1/8W	1
R750	221-081-6190	619 Ω 1% 1/8W	1
PTC502	222-040-7200T	Polyswitch 0.4A/72V	1
VR501,VR601	231-202-0677	2K,VR	2
R526	232-R22-2059	0.22 Ω R-WR 2W	1
R759 (986NS) (787NS) (772NS)	232-R24-2059	0.24 Ω R-WR 2W	1
	232-R30-3059	0.3 Ω R-WR 3W	
	232-R68-3059	0.68 Ω R-WR 3W	
R795 (986NS,787NS,786NS) (772NS)	Open Short	Open Short	1

R781 (986NS,787NS,786NS) (772NS)	Open Short	Open Short				1
R780 (986NS,787NS,786NS) (772NS)	Short Open	Short Open				1
R794 (986NS,787NS,786NS) (772NS)	Open 210-823-0856	Open 82K Ω		1/8W		1
R701,702 (986NS,787NS,786NS,772NS) (572NS,562NS)	Open Short	Open Short				1
R661 (772NS) (572NS,562NS)	Short 210-100-0856	Open 10 Ω		1/8W		1
R662 (772NS) (572NS,562NS)	Open 210-363-0856	Open 36K Ω		1/8W		1
C935,948	300-1R0-5020	1.0u	50V	E.C		2
C949 (986NS,787NS,786NS) (772NS)	300-1R0-5020 Open	1.0u	50V	E.C	Open	1
C750 (986NS,787NS,786NS) (772NS)	Open 300-1R0-5020	Open 1.0u	50V	E.C		1
C205,235,265	300-1R0-0122	1.0u	100V	E.C		3
C922	300-100-1620	10u	16V	E.C		1
C270,274,582,704,907	300-100-5020	10u	50V	E.C		5
C725 (986NS,787NS,786NS,772NS) (572NS,562NS)	300-100-5020 Open	10u	50V	E.C	Open	1
C275,276,278	300-100-0120	10u	100V	E.C		3
C722	300-100-0423	10u	250V	E.C		1
C505,507,527,601	300-101-1623	100u	16V	E.C		4
C523	300-101-2520	100u	25V	E.C		1
C325,703	300-101-3520	100u	35V	E.C		2
C525	300-102-1623	1000u	16V	E.C		1
C323,520	300-102-2523	1000u	25V	E.C	105 C	1
C206,236,266	300-R22-0122	0.22u	100V	E.C		1
C716	300-2R2-0423-SL	2.2u	250V	E.C	Lesr	1
C623,742	300-220-1620	22u	16V	E.C		2
C520	300-220-0222	22u	160V	E.C		1
C504 (986NS,787NS,786NS) (772NS,572NS,562NS)	300-221-0522 300-151-0522	220u 150u	400V 400V	E.C E.C		1
C521 (986NS,787NS,786NS) (772NS,572NS,562NS)	300-331-0123 300-221-0123	330u 220u	100V 100V	E.C E.C	105C 105C	1
C510,612,613,715,774, 901	300-4R7-5020	4.7u	50V	E.C		6
C773 (986NS,787NS,786NS,772NS,572NS) (562NS)	300-4R7-5020 Open	4.7u Open	50V	E.C		1
C772 (986NS,787NS,786NS) (772NS)	300-4R7-5020 Open	4.7u Open	50V	E.C		1
C272,2A4,607,615	300-470-1620	47u	16V	E.C		4
C745 (986NS,787NS,786NS) (772NS)	300-470-1620 300-4R7-1620	47u 4.7u	16V 16V	E.C E.C		1

C744	300-470-0120	47u	100V	E.C	1
C501,519,305	300-471-2520	470u	25V	E.C	3
C701	300-6R8-5020	6.8u	50V	E.C	1
R545	300-680-3520	68u	35V	E.C	1
C609	305-103-0550	0.01u	50V	PE	1
C292,626,627,628,629,905,906,914 C915,916,917	307-101-1170	100p	50V	C.C	11
C518,618A,771,740A	307-102-1160	1000p	50V	C.C	4
C2A2	307-102-3570	1000p	500V	C.C	1
C602,778,779	307-103-1170	0.01u	50V	C.C	3
C277,2A7,506,515,528,746,747	307-103-3570	0.01u	500V	C.C	7
C714 (986NS,787NS,786NS,772NS) (572NS,562NS)	307-103-3570 Open	0.01u Open	500V	C.C	1
C603,622	307-104-1770	0.1u	50V 10%	C.C	2
C614	307-221-1170	220p	50V 10%	C.C	1
C517,551,552,733	307-221-3570	220p	500V	C.C	4
C718 (986NS,787NS,786NS,772NS) (572NS,562NS)	307-221-3570 Open	220p Open	500V	C.C	1
C294	307-182-1170	1800p	50V	C.C	1
C550,625,705	307-222-1170	2200p	50V	C.C	3
C776 (986NS,787NS,786NS,772NS) (572NS,562NS)	307-222-1170 Open	2200p Open	50V	C.C	1
C726	307-222-3570	2200p	500V	C.C	1
C618	307-223-1170	0.022u	50V	C.C	1
C515	307-223-3570	0.022u	500V	C.C	1
C2A9	307-330-1170	33p	50V	C.C.	1
C509,751,752	307-331-1170	330p	50V	C.C.	3
C748,749,912,911	307-471-1170	470p	50V 10%	C.C	4
C526,741	307-471-3570	470p	500V 10%	C.C	2
C780 (986NS) (787NS,786NS,772NS,772NS,572NS,562NS)	307-472-1170 307-822-1170	4700p 8200p	50V 10%	C.C	1
C2A3	307-472-6570	4700p	2KV	C.C	1
C583	307-561-1160	560p	50V	C.C.	1
C617 (986NS) (787NS,786NS,772NS,572NS,562NS)	308-180-1150 Open	18p Open	50V	C.C	1
C740	308-301-1152	300p	50V	C.C. NPO	1
C918,919	308-470-1150	47p	50V	C.C. NPO	2
C792	308-101-6860	100p	2KV 10%	C.C	1
C732 (986NS,787NS,786NS) (772NS)	309-102-1552 Open	1000p Open	1.5KV	PHM	1
C713 (787NS) (772NS) (562NS)	309-332-1052 309-392-1052 309-472-0652	3300p 3900p 3300p	1KV 1KV 630V	PHM PHM PHM	1
C712 (986NS,787NS,786NS,777NS,562NS)	309-432-1552	4300p	1.5KV	PHM	1

(772NS,572NS)	309-472-1552	4700p	1.5KV	PHM	
C620,790	310-104-0252	0.1u	250V	MEM	2
C710 (986NS,786NS)	310-154-0252	0.15u	250V	MPP	1
(787NS)	310-823-0252	0.082u	250V	MPP	
(772NS)	310-824-0252	0.82u	250V	MPP	
(572NS)	310-684-0252	0.68u	250V	MPP	
(562NS)	310-394-0252	0.39u	250V	MPP	
C716	310-225-0252-H	2.2u	250V	MPP	1
C717 (986NS,786NS,772NS)	310-274-0452	0.27u	400V	MPP	1
(787NS,777NS)	310-224-0452	0.22u	400V	MPP	
(572NS,562NS)	310-334-0452	0.33u	400V	MPP	
C709 (986NS,786NS)	310-394-0252-1	0.39u	250V	MPP	1
(787NS)	310-274-0252	0.27u	250V	MPP	
(777NS,772NS)	310-224-0252	0.22u	250V	MPP	
(572NS)	310-184-0252	0.18u	250V	MPP	
(562NS)	Open	Open			
C731 (986NS,787NS)	310-824-0452	0.82u	250V	MPP	1
(786NS)	310-105-0252	1u	250V	MPP	
(772NS)	Open	Open			
C508,524	315-224-2572	0.22u	250V	X-CAP	2
C502,503,555	317-222-4072	2200p	400V	Y-CAP	3
C540,541 (986NS,772NS)	317-472-4072	4700p	400V	Y-CAP	2
(787NS,786NS)	N/P	N/P			
C619	318-102-0550	1000p	50V.	MEM	1
C611	318-103-0550	0.01u	50V.	MEM	1
C310,608,721	318-104-0550	0.1u	50V	MEM	3
C620,790	318-104-0250	0.1u	250V	MEM	2
C727	318-105-1052	1u	100V	MEM	1
C793	318-152-0152	1500p	100V.	MEM	1
C605	318-154-0550	0.15u	50V	MEM	1
C307	318-224-0550	0.22u	50V	MEM	1
C606	318-474-0550	0.47u	50V	MEM	1
C309 (986NS,787NS,786NS)	318-682-0550	6800p	50V 10%	MEM	1
(772NS,572NS,562NS)	318-103-0550	0.01u	50V 10%	MEM	
C719,720 (986NS,787NS,786NS)	319-101-1060	100p	1KV	C.C	2
(772NS)	319-151-1060	150p	1KV	C.C	
(572NS,562NS)	Open	Open			
C522	319-221-1060	220p	1KV 10%	C.C	1
C516	326-222-0520	2200p	50V 2%	PL	1
C610	326-821-0520	820p	50V 2%	PL	1
C201,231,261,701	328-103-2260	0.01u	50V	C.C	4
C777 (986NS,787NS,786NS)	328-103-2260	0.01u	50V	C.C	1
(772NS)	Open	Open			
C708,778 (986NS,787NS,786NS,772NS,572NS)	328-103-2260	0.01u	50V	C.C	2
(562NS)	Open	Open			
C271,291,293,295,202,232,262,2A1, C2A5,2A6,603,622,616,513,903,904,	328-104-2690	0.1u	50V	C.C	23

C 908,909,920,921,902A,902B,724			
C702,730 (986NS,787NS,786NS) (772NS)	328-104-2690 Open	0.1u 50V C.C Open	2
SW902,903	401-170-D200	Tact Switch	2
SW901	401-240-0501	Encoder	1
SW501	401-270-0402	Soft Power Switch	1
RL501	402-001-212DM	DSA-SS-212DM5 Relay	1
RL701 (986NS,787NS,786NS) (772NS)	402-001-212DM5 Open	DSA-SS-212DM5 Relay Open	1
JK302	409-003-0104A	Phone Jack 3Pin	1
JK301	409-003-0201A	DC Jack 3Pin	1
IC902 Socket	410-008-0102	IC902 Socket 8Pin	1
CRT SOCKET (17") (15")	411-100-0006 411-100-0002	CRT Socket	1
P501 (986NS,787NS,786NS,772NS) (572NS,562NS)	412-600-0001 Open	AC Inlet Socket	1
SG281	430-301-0001	300V	1
IC902	501-000-2408	AT24C08	1
IC901	503-100-62P2-P	CPU	1
IC201	504-550-1237	LM1237	1
IC202	504-000-2480	LM2480	1
IC203	504-000-2469	TDA2469	1
IC203 Heat Sink (986NS,787NS,786NS) (772NS,572NS,562NS)	123-003-P6SE-E 123-003-P6NS	IC203 H.S	1
IC301	504-900-8172	TDA8172	1
IC301 Heat Sink (986NS,787NS,786NS) (772NS,572NS,562NS)	120-002-P6SE-B 120-002-772NS	IC301,H.S	1
Silicon Rubber	120-100-2001	For IC301	1
Shoulder Washers	540-500-2002C	For IC301	1
IC501	504-200-3842A	KA3842A	1
IC502	505-1R5-7812	LM7812 (TO-220)	1
IC503	505-093-76285	AMC76289 300mA/5V	1
IC601 (19",17") (15")	504-700-9116 504-700-9115	TDA9116 TDA9115	1
IC203	504-000-2469	LM2469	1
Q281,602,653,714,715,903	510-000-0733	2SA733	6
Q505	510-010-772SP	HSB772S (TO - 92)	1
Q502,508,511,513,601,606,651,708 Q711,722,902,904,907	510-023-0945	2SC945P	13
Q710	510-200-0423	BF423	1
Q702 (986NS,787NS,786NS) (772NS,572NS,562NS)	511-001-2865 510-BSN-0254A	2SK2865 BSN254A	1
Q704, 725 (986NS,787NS,786NS) (772NS)	510-023-0945 Open	2SC945P Open	2
Q706, (986NS,787NS,786NS,772NS,572NS)	510-023-0945	2SC945P	1

(562NS)	Open	Open	
Q726	510-023-0945-P	2SC945P	1
Q501	510-010-0772	HSB772 (TO – 126)	1
Q701 (986NS,787NS,786NS) (772NS)	510-010-0772 Open	HSB772 (TO – 126) Open	1
Q713 (986NS,787NS,786NS,772NS) (572NS,562NS)	510-300-SA44 Open	HMP5A44 Open	1
Q504	511-001-2141 511-001-2746	2SK2141 2SK2746 (For PFC)	1
Q504 Heat Sink(986NS,787NS,786NS) (772NS)	120-001-P6SE-E 120-001-772I-E	Q504 Heat Sink	1
Q717	510-250-0122	TIF122	1
Silicon Rubber	540-100-2001	For Q717,Q719,D719	1
Shoulder Washers	540-500-2002-C	For Q717,Q719	1
Q703 (986NS,787NS,786NS) (772NS) (572NS,562NS)	510-023-5411 510-023-5449 510-023-5448	2SC5411 2SC5449 2SC5448	1
Q703 Heat Sink(986NS,787NS,786NS) (772NS)	120-001-P6SE-E 120-003-772NS	Q717,703,D709,Q719 H.S	1
Q707 (986NS,787NS,786NS) (772NS,572NS) (562NS)	511-005-0644 511-005-0634 Open	IRF644 IRF634 Open	1
Q719,709	511-005-0634	IRF634	2
Q709 Heat Sink (986NS,787NS,786NS,562NS) (772NS,572NS)	Open 120-005-A564-A	Q709 Heat Sink	1
LED901	520-005-73GD	5 ϕ LED	1
D304	520-010-4002	1N4002	1
D201,231,261,202,232,262,203,233 D263,503,507,518,532,601,602,603 D604,606,610,611,711A,713,714,716 D720,725,752,753, 901,902,904	520-001-4148	1N4148	31
D605 (986NS,787NS,786NS) (772NS)	520-001-4148 Open	1N4148 Open	1
D703,704 (986NS,787NS,786NS) (772NS)	520-001-4148 Open	1N4148 Open	2
D755 (986NS,787NS,786NS) (772NS)	Open 520-001-4148	Open 1N4148	1
D505,712,715,708	520-010-4936	1N4936	4
D726 (986NS,772NS) (787NS,786NS,562NS)	520-010-4936 N/P	1N4936 N/P	1
D707 (986NS,787NS,786NS,772NS,572NS) (562NS)	520-010-4936 Open	1N4936 Open	1
D711 (986NS,787NS,786NS,772NS) (572NS,562NS)	520-010-4937 Open	1N4937 Open	1
ZD702 (986NS,787NS,786NS,772NS) (572NS,562NS)	521-005-03R6 521-005-06R2	HZ4A2 (3.6V) HZ6C2 (6.2V)	1
ZD281,701,901,902,903,904.281	521-005-05R0	HZ5C1	7
ZD601,612	521-005-13R0	HZ13V	2

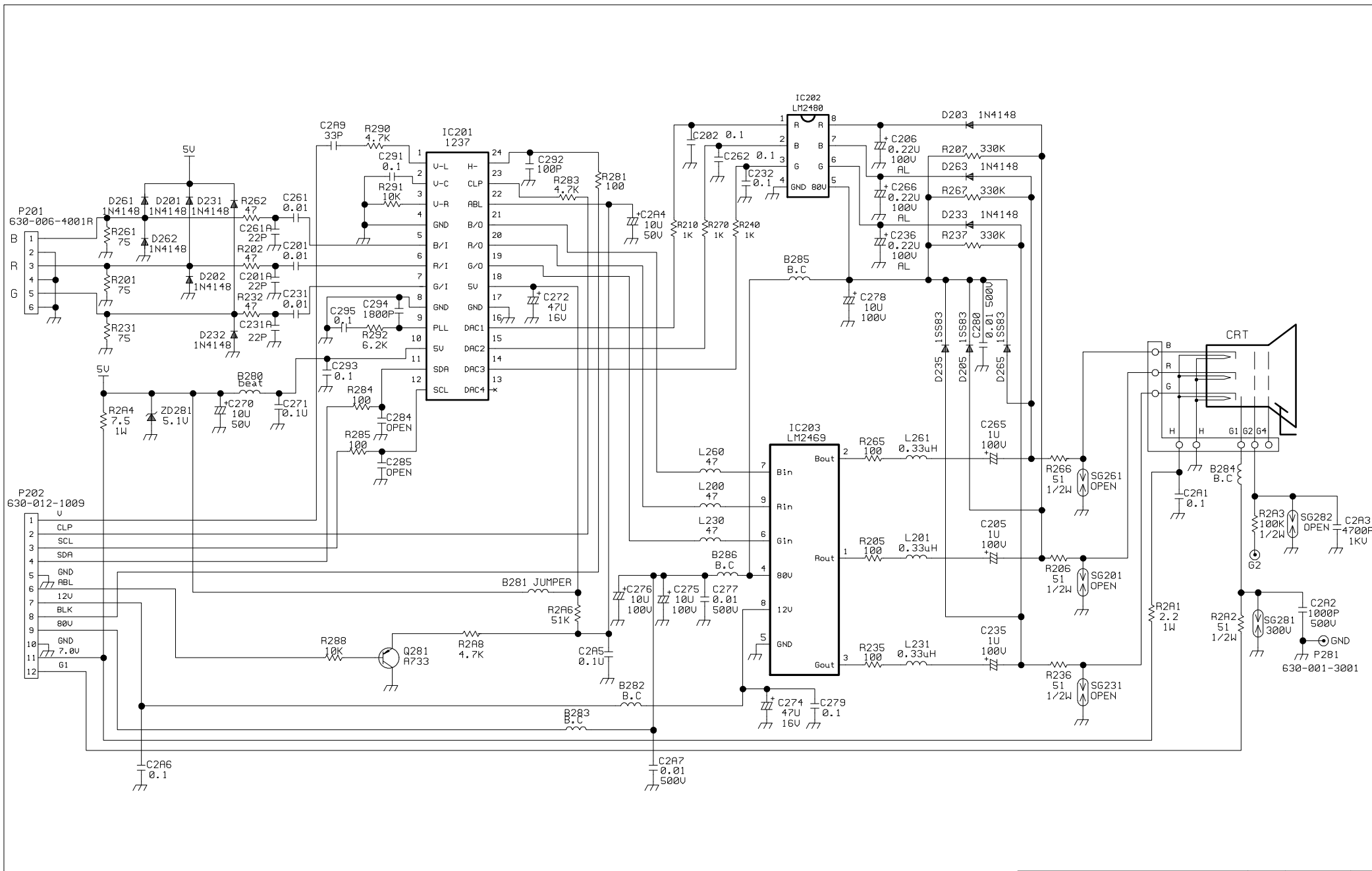
ZD551	521-005-18R0	HZ18V	1
ZD502	521-005-30R0	HZ30V	1
ZD501	521-005-56R0	HZ56V	1
D205,235,265	522-010-SS83	1SS83	3
D501	522-010-T42M	BYT42M	1
D513	522-020-H203	HER203	1
D508	522-020-H207-F	HER207G-F	1
D514,515,516,517	522-020-L205	RL205	4
D502,510	522-030-H303G-F	HER303G	2
D719	522-030-H305G-F	HER305G	1
D509	522-030-H305G	HER305G	1
D509 Heat Sink (986NS,787NS,786NS) (772NS,572NS)	120-001-0916-C 120-005-A564-A	D509 Heat Sink	1
D710 (986NS,787NS,786NS) (772NS)	Open 522-030-H306G	Open HER306G	1
D710 Heat Sink (986NS,787NS,786NS,562NS) (772NS,572NS)	Open 120-005-A564-A	D710 Heat Sink	1
D709 (986NS,787NS,786NS) (772NS)	522-050-023M 522-110-BY329	ESC023M-15 BY329-1500	1
D705	522-010-5818	1N5818	1
X901	530-120-0001	RESONATOR,12MHz	1
F501	550-141-3000	3.15A,250V	1
FUSE CLIP	551-021-0001		2
Wire	620-040-0200	G3 to G3'	1
P502	630-002-2002	2P 1.56D Base	1
P701	630-004-3001	4P 2.36D Base	1
P281,505,TCO	630-001-3001	1P 2.36D	3
P601	630-002-1009	For X-Ray Test	1
P301,901	630-002-4001	2P 0.6D	2
P902	630-005-4001	For Signal Cable	1
P903 (986NS,787NS,777NS) (786NS,772NS)	630-003-4003 630-002-4001	3P Pitch 2.5mm 2P Pitch 2.5mm	1
P905	630-009-1009	9P Pitch 2.0mm	1
P201	630-006-4001R	6P 2.0mm Base	1
P202	630-012-1009	12P 2.0mm Base	1
POWER CORD(986NS,787NS,786NS,772NS) (572NS)	600-151-2804D 600-131-4000P	150mm Build in Power Cord	1
SIGNAL CABLE	610-171-15801	Signal Cable	1
Rear Support Bracket	121-001-P6SE-B		1
Rear Bracket	121-002-P6SE-A		1
CRT Cover	123-004-P6SE		1
CRT DY Cover	123-002-768I-A	For TCO	1

CRT	700-119-246P 700-117-25PF-2 700-117-26SS 700-117-2806 700-115-2823	986NS 787NS 786NS 772NS 562NS		1
T703 (986NS,787NS,786NS,772NS) (572NS,562NS)	730-400-770VC Open	Focus choke		1
T501	730-102-P6SE-A	Power Converter		1
T702	730-200-770VC	H-Driver		1
T701 (986NS,787NS,786NS) (772NS) (572NS) (562NS)	730-302-P6SE 730-302-770VC-2 730-302-572VC-2 730-302-562N-A	FBT		1
Degaussing Coil (986NS) (787NS,72NS) (572NS,562NS)	735-019-X998A-B 735-017-X771-C 735-015-X571-C			1
Roation Coil (986NS,787NS) (786NS,772NS) (572NS,562NS)	N/P 740-500-564I-1 740-500-564I-2	N/P 260 Turns 200 Turns		1
L200.260	745-R68-1162 210-470-0856	0.68uH 47Ω	1/2W 1/8W	2
L230,201,231,261	745-R33-1162	0.33uH	1/2W	4
L705 (772NS)) (572NS) (562NS)	745-5R2-3062 745-5R1-3082 740-200-562N	H-Line Coil		1
L703 (986NS,787NS,786NS) (772NS)	745-151-2084 745-201-2084B	H-Size Coil H-Size Coil	150uH 200uH	1
L704	745-720-2084	Step Up Coil	72uH	1
L502	750-100-770VC	Line-Filter		1
L503	750-150-K998	Line-Filter		1
B280,284,B283,L706,701,511,515, L900,R585,Q504(G)	760-100-0002	Bead Core		10
L506,507,508,509,510,512,701	760-000-0001	Bead Core		7
L703A	760-100-0001-T	Bead Cord		1
Ring Core (772NS) (572NS,562NS)	760-300-0003 Open	For G2,G4 25x15x12mm		1
Ground Wire (986NS) (787NS) (772NS) (572NS,562NS)	800-102-P619 800-100-772NS-A 800-104-P617 800-100-562NS	For CRT		1
PFC Assembly Kit (For 17"/19")				
T505	730-122-P7SE-2	PFC Choke	180uF	1
C571	318-684-4052-Y	0.68uF	400V MM-CON	1
C572 ,574	307-103-3572	0.01uF	500V C.C	2
C573	307-471-3170	470pF	500V C.C	1
D552	522-023-H308	HER308G		1
D551	522-010-H105	HER105		1

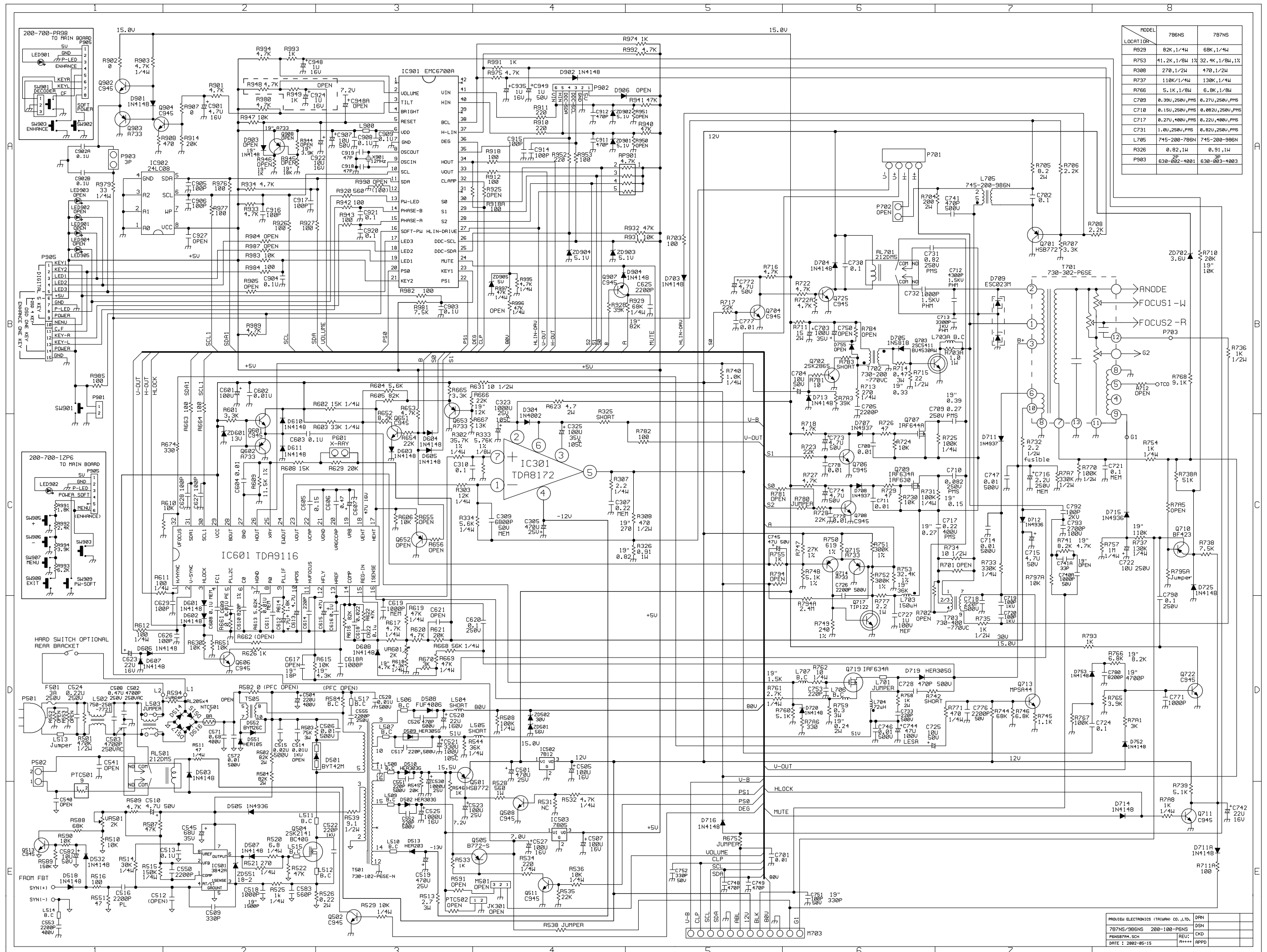
J. CONDUCTION VIEW
MAIN BOARD (Component Side)

MAIN BOARD (Soild Side)

K. SCHEMATIC DIAGRAM



PROVIEW	DRN	
ELECTRONICS (TAIWAN) CO., LTD.	DSN	
CRT BOARD. (772NS)	CKD	
P6CRTNA.SCH	APPD	
DATE : 2002-01-30	A	



MODEL	786NS	787NS
LOCATION		
R929	82K, 1/4W	68K, 1/4W
R925	41.2K, 1/8W, 1%	32.4K, 1/8W, 1%
R388	270, 1/2W	470, 1/2W
R737	118K, 1/4W	130K, 1/4W
R766	5.1K, 1/8W	6.8K, 1/8W
C789	0.39u, 250V, PMS	0.27u, 250V, PMS
C710	0.15u, 250V, PMS	0.082u, 250V, PMS
C717	0.27u, 100V, PMS	0.22u, 100V, PMS
C731	1.0u, 250V, PMS	0.82u, 250V, PMS
L785	745-200-786N	745-200-986N
R326	0.82, 1W	0.91, 1W
P903	630-802-4001	630-803-4003

PROJECT ELECTRONICS (TAIYU) CO., LTD.	DRN
787NS/986NS 200-100-P6NS	DSN
PMS8714 SCH	CKD
DATE: 1982-05-15	APPD